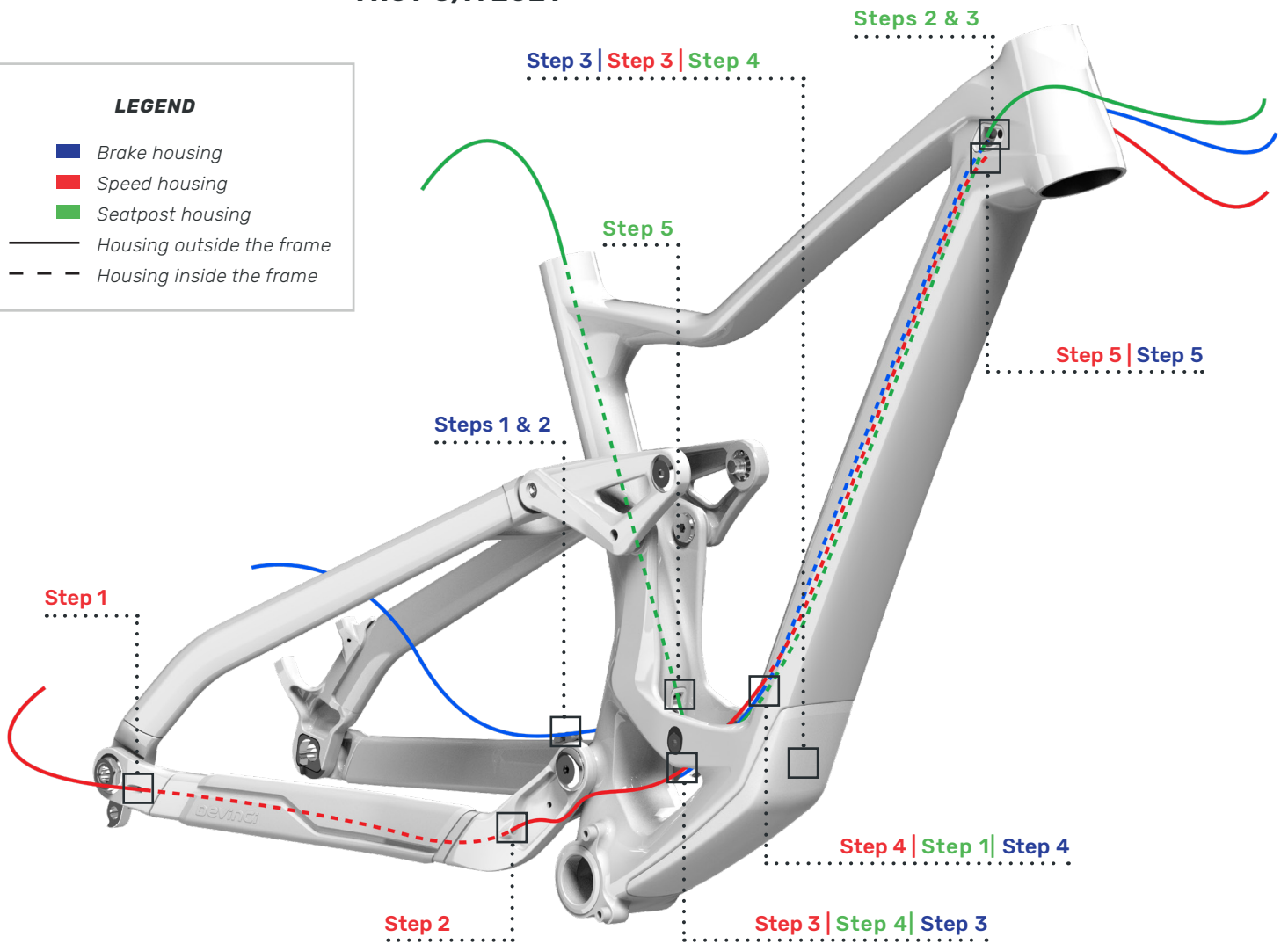


LEGEND

- Brake housing
- Speed housing
- Seatpost housing
- Housing outside the frame
- - - Housing inside the frame



BRAKE HOUSING

- Step 1** | Thread the housing to the left over the inner surface of the seat stay.
- Step 2** | Secure the housing to the two guides on the base using clips.
- Step 3** | Thread the housing under the shock plates in the left opening.
- Step 4** | Thread the housing through the opening on the down tube.
- Step 5** | Remove the cap from on the guide located on the left side of the down tube, take out the housing using the large hole. *Do not put back the stop cap*
- Step 6** | Slide the anti-impact foam tube over the housing up into the down tube.

SPEED HOUSING

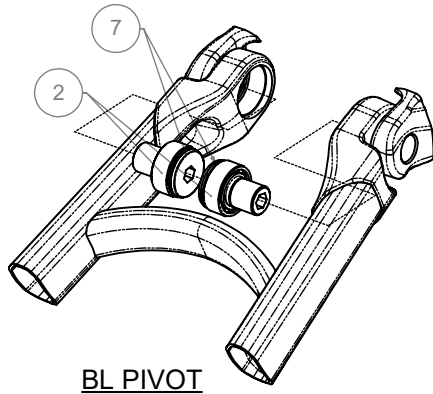
- Step 1** | Thread the housing through the opening on the front of the chainstay to the back of the chainstay.
- Step 2** | Pull the housing out through from the front opening of the chainstay and secure it with a clip to the cavity located below the front of the chainstay.
- Step 3** | Thread the housing under the shock plates in the right opening.
- Step 4** | Thread the housing through the opening on the down tube.
- Step 5** | Take the housing out through the guide located on the left side of the down tube using the small hole.
- Step 6** | Slide the anti-impact foam tube over the housing up into the down tube. *Put back the stop cap*

SEATPOST HOUSING

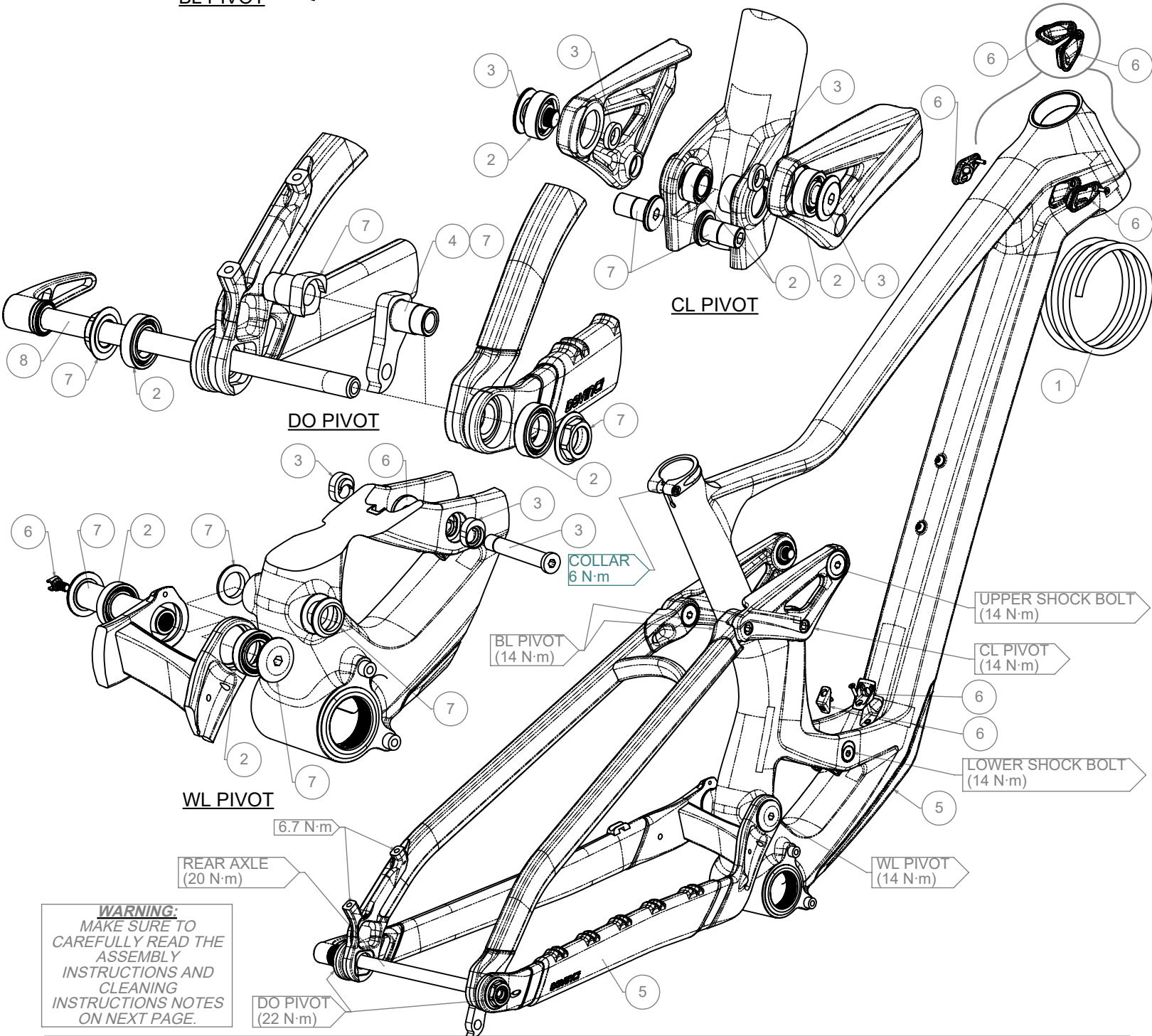
- Step 1** | Thread the housing through the opening at the bottom of the down tube.
- Step 2** | Remove the guides cap from the right side at the top of the down tube and pull the housing out.
- Step 3** | Slide the anti-impact foam tube over the housing up to the down tube. * Put back the stop cap *
- Step 4** | Thread the housing under the shock plates under the two openings.
- Step 5** | Thread the housing through the opening at the bottom of the seat tube, out to the top.

TROY CARBON/ALU 29

ITEMS	#SERVICE KIT	DESCRIPTION
1	KFC16053	Foam Kit for Internal Routing
2	KFC04301	Bearing Kit
3	KFC03502	Shock Bolt
4	KFC11051	Derailleur Hanger Split Pivot 12x142/148
5	KFC04601	Protector Kit
6	KFC03505	Cable Guide
7	KFC04602	Pivot kit Shaft Troy Carbon/Alloy Blk
8	KFC19010	Rear Axle SuperBoost157*12mm/209.5mm



BL PIVOT



WARNING:
 MAKE SURE TO CAREFULLY READ THE ASSEMBLY INSTRUCTIONS AND CLEANING INSTRUCTIONS NOTES ON NEXT PAGE.