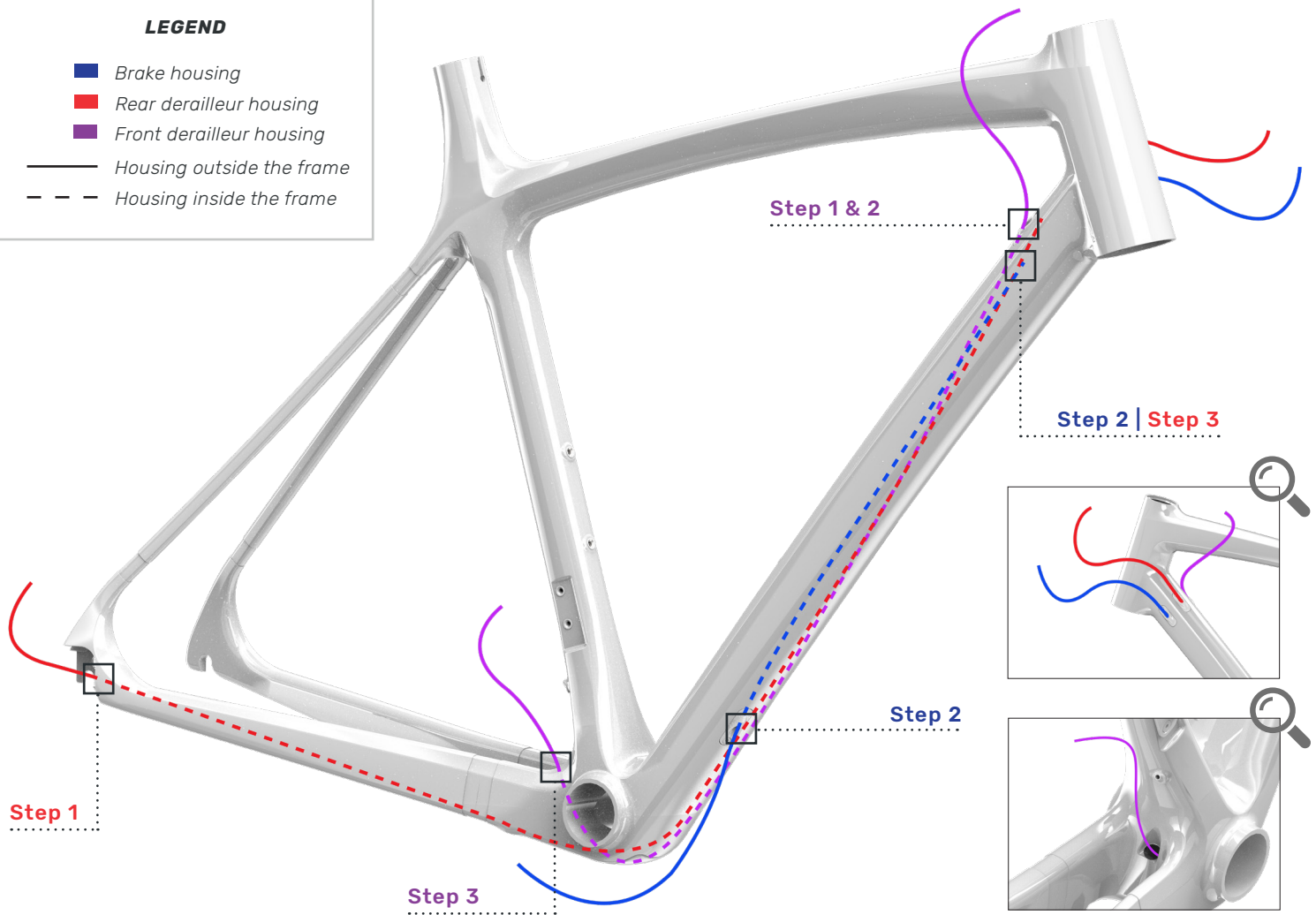


LEGEND

- Brake housing
- Rear derailleur housing
- Front derailleur housing
- Housing outside the frame
- - - Housing inside the frame



FRONT DERAILLEUR HOUSING

Step 1 | Thread the front shift cable through the right guide on the down tube.

Step 2 | Thread the front shift cable through the right side of the bracket located under the down tube. *see image below for reference*

Step 3 | Pull the front shift cable out through the opening behind the seat tube in the center of the chainstay.

REAR DERAILLEUR HOUSING

Step 1 | Thread the rear gear cable inside the down tube through the upper left guide.

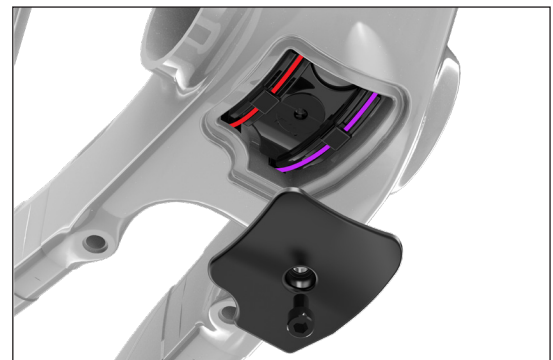
Step 2 | Thread the rear gear cable through the left side of the bracket located under the bottom bracket. *see image below for reference*

Step 3 | Pull the rear gear cable out through the opening at the rear of the chainstay.

BRAKE HOUSING

Step 1 | Thread the housing through the lower left guide inside the down tube.

Step 2 | Remove the guide cap and pull out the rear brake housing through the opening located under the down tube.



LEO 105

ITEMS	#SERVICE KIT	DESCRIPTION
1	KFC02001	Derailleur hanger
2	KFC15080	Cable ends kit for Leo/Leo SL&Disc
3	KFC15081	Cable guide kit for Leo/Leo SL&Disc

