

BRAKE HOUSING

Step 1 | Fix the housing to the two brackets on the chainstay using U-clips

Step 2 | Thread the housing in the rubber cable guide's opening on the back of the motor mount.

Step 3 | Enter the housing through the down tube and exit through the top opening on the left side. *To make this step easier, use an internal cable guide routing kit.*

SPEED HOUSING

Step 1 | Thread the rear shifter housing on the top of the downtube through the opening.

Step 2 | Thread the housing in the opening on the back of the motor mount.

Step 3 | Fix the housing to the three tabs located on the chainstay.

SPEED SENSOR

Step 1 | Attach the wire to the same guides as the brake housing on the inner surface of the base.

Step 2 | Thread the wire through the opening at the back of the motor mount.

Step 3 | Bring out the wire on the right side of the motor mount.

CHARGING PORT

Step 1 | Secure the charging port on top of the down tube.

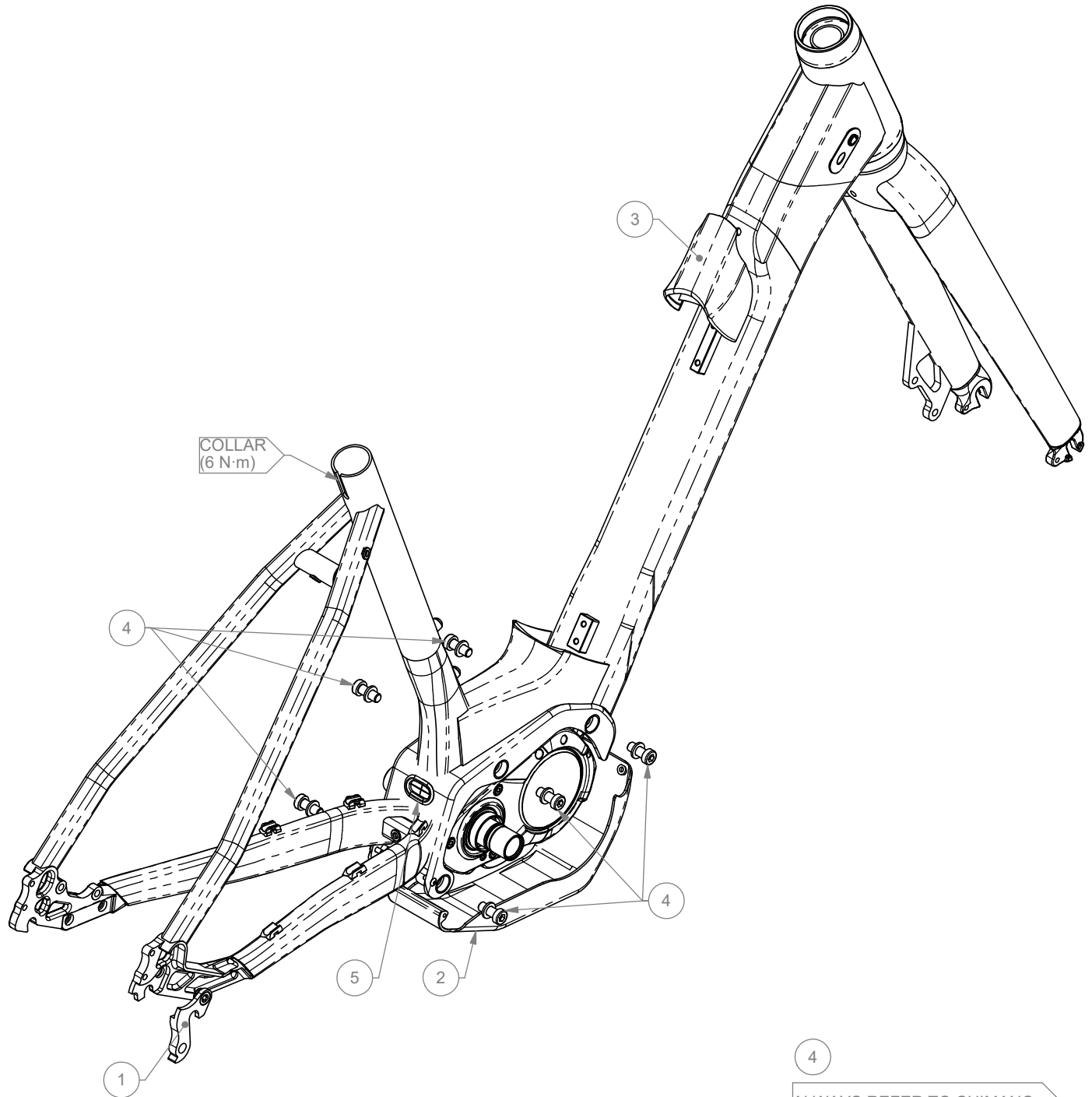
Step 2 | Pull the wire out through the motor opening on the right side.

DI-2 CABLE

Step 1 | Thread the wire through the guide at the top of the down tube.

Step 2 | Pull the wire out through the motor opening.

E-GRIFFIN		
ITEMS	#SERVICE KIT	DESCRIPTION
1	KFC19048	RD Hanger E-Griffin
2	KFC19049	Plastic motor protector plate E-Griffin
3	KFC19050	Plastic battery junction E-Griffin
4	KFC02501	Motor bolts E-Cartier
5	KFC02502	Grommet E-Cartier



4
 ALWAYS REFER TO SHIMANO DOCUMENT LATEST VERSION FOR TIGHTENING TORQUE VALIDATION (10 - 12.5 N·m)