

WE MAKE RIDERS

CHICOUTIMI, QUÉBEC



ELECTRIC
SYSTEM



TECHNICAL MANUAL

E-GRIFFIN | E-CARTIER 2023+

DEVINCCI



FROM PART TIME HUSTLER
TO FULL TIME COMMUTER



PLEASE READ BEFORE USING YOUR BIKE

Even if you have already piloted a bike for years, it is important to be aware of the information contained in the User's Manual and the Specific Manual PAB (Power-Assisted Bike). Read them carefully before riding your E-cartier or E-Griffin :

- These documents contain important information.
- Understand the use, layout and maintenance of each electrical components of your new PAB.

Your safety and those of other is paramount:

- Never ride the bike without its battery; the battery must be on the bike when you head out, otherwise there will be no lights on the bike.
- Never ride the bike without a saddle; failure to comply with this rule could lead to accidents.
- Inspect your bike to make sure there are no loose screws or components or damages. In the event of a defect, visit your authorized Devinci retailer for a repair.
- A PAB is faster than a normal bike, risks of accident with other users on the road may occur.
- Ride under the conditions mentioned in the Owner's Manual.
- For PAB's that have a rear rack: the limit is 25 kg.

The electrical system requires careful handling:

- Do not clean the bike with a high-pressure jet. The system is sensitive to moisture. High-pressure water may seep into the connectors or other parts of the electrical system.
- Handle the battery carefully and pay attention to electric shocks. Failure to comply with this instruction could lead to abnormal heating or severe damage. In very rare cases, the consequences of an electrical shock could lead to a fire. In case of doubt, have the battery inspected by an authorized Devinci retailer.

Perform maintenance of the battery as mentioned in the Technical Manual.



NOTE → Failure to follow the instructions below may damage the battery and require you to purchase a new battery kit.

- Charge the bike with the Shimano charger only;
- When the battery is not used for a long time, recharge to 100% (from 4 to 5 LEDs on the charge indicator);
- Check the battery charge status regularly when not in use, recharge it to 100% if the load is less than 20% (1 indicator light on the charge gauge). Check the load every month and have it fully charged every 6 months;
- It is not recommended to keep the battery connected to the charger for a long period;
- If the battery remains uncharged for a long time, it can lose a significant part of its effectiveness;
- Store the battery in a well-ventilated and dry place. Pay attention to moisture;
- In case of poor conditions, remove the battery from the bike and store it in a dry place until next use;
- The battery can be stored at temperatures between -10°C (14°F) and 40°C (104°F). For long service life, store it at a temperature close to 20° C (68°F);
- Monitor the storage temperature and try to avoid discrepancies. For example, do not leave the battery in your car during summer or leave the battery outdoors during a storm in winter;
- It is recommended to store a battery which is not connected to the bike.

Follow the transport instructions for your PAB:

- Comply with local laws regarding transportation on the PAB;
- A PAB is heavier than a normal bike, so you must be careful when transporting it. Check that the maximum load of the rack, roof or bike rack used is respected. Refer to the support manual used;
- The Li-Ion battery of your PAB, due to its size, is considered a "Class 9 dangerous good" during transport. Applicable regulations could limit transport of a separate Li-Ion battery (when the battery is not on the bike) in some places. This regulation applies to several airlines and a number of road transport companies. On the other hand, if you are planning to move around with a full PAB (when the battery is on the bike), regulations are less strict. In case you use these transport methods, check the regulations that apply to your PAB with your transport company before booking.

Visit your authorized Devinci retailer for regular maintenance of your new PAB:

- Only your retailer has the know-how and the proper equipment to maintain your PAB.
- If you have any question about your PAB, please ask for assistance from your retailer.



ABOUT OUR MANUALS

Our user manuals meet ISO 4210-10TS, EN 15194 et EN 14766 standards.

Like many sports, cycling involves risk of injury and accidents, so you must be fully aware of these risks. Neither the manufacturer, the retailer, nor the person who sold you the bike, nor the people who maintain the trails are responsible for these risks. As you are solely responsible, it is, therefore, essential that you read and fully understand all the parts contained in this manual.

To enjoy maximum safety and enjoyment right from the get go, it is important that you are familiar with your new bike, its handling and its possibilities. It is your duty to maintain your bike well and reduce the risk of injury. Biking can be a dangerous activity, even under the best conditions. These are risks associated with using a bicycle that cannot be predicted or avoided. These are the sole responsibility of the cyclist.

YOUR AUTHORIZED DEVINCI RETAILER

Your authorized Devinci retailer is at your service to guide your choices of bike and accessories which are best suited to the style of biking you wish to perform. This will help you maintain your equipment in good condition so that you can take full advantage of your investment. The staff at your authorized Devinci retailer have the training, experience and tools to carry out the repairs and provide you with reliable advice.

However, your authorized Devinci retailer cannot make decisions for you, and cannot be held responsible for your lack of knowledge, experience, qualification or common sense. However, it will take the necessary time to explain the operation of a component or to help you choose an accessory that meets your specific needs.

For further information, please see the User Manual that you are currently reading and the Shimano STEPS EP800 & E7000 series user manual available on <http://si.shimano.com/>, or you can ask your authorized Devinci retailer. He will take the time to answer any questions you may have and will advise you with great pleasure.



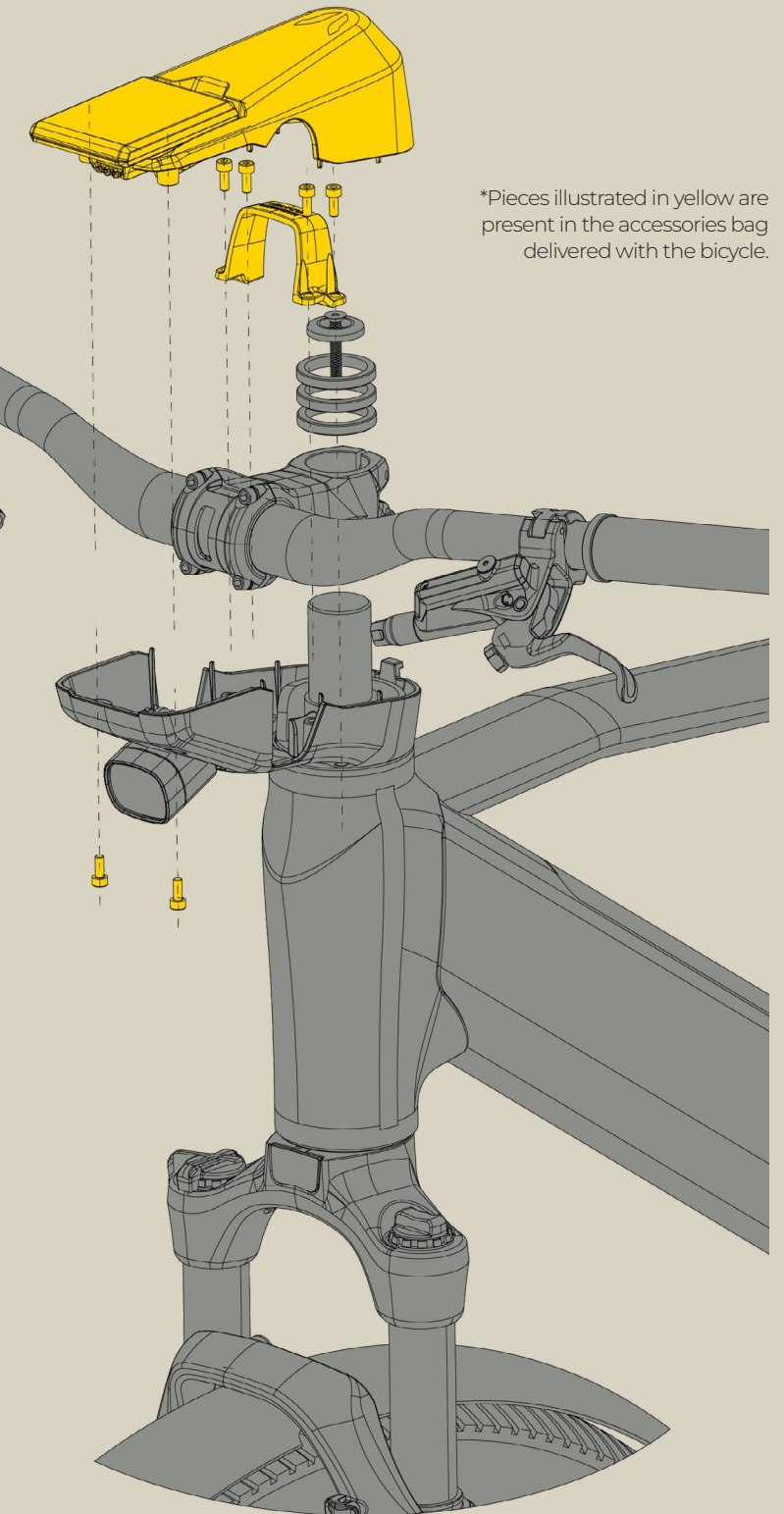
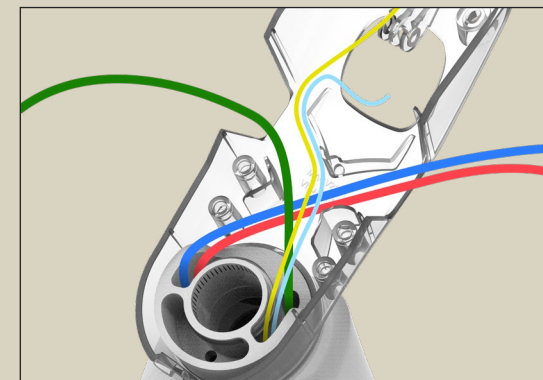
COCKPIT ASSEMBLY TIPS

Rely on the plan illustrated here for the assembly of the cockpit.

Pay attention to the orientation of the dust cover to interlock it to the compression ring.



See P.28 for details about the cable routing locations in the cockpit.



**Pieces illustrated in yellow are present in the accessories bag delivered with the bicycle.*

CABLE ROUTING

9

SERVICE KIT

30

DEVINCI'S RIDE IN PEACE WARRANTY

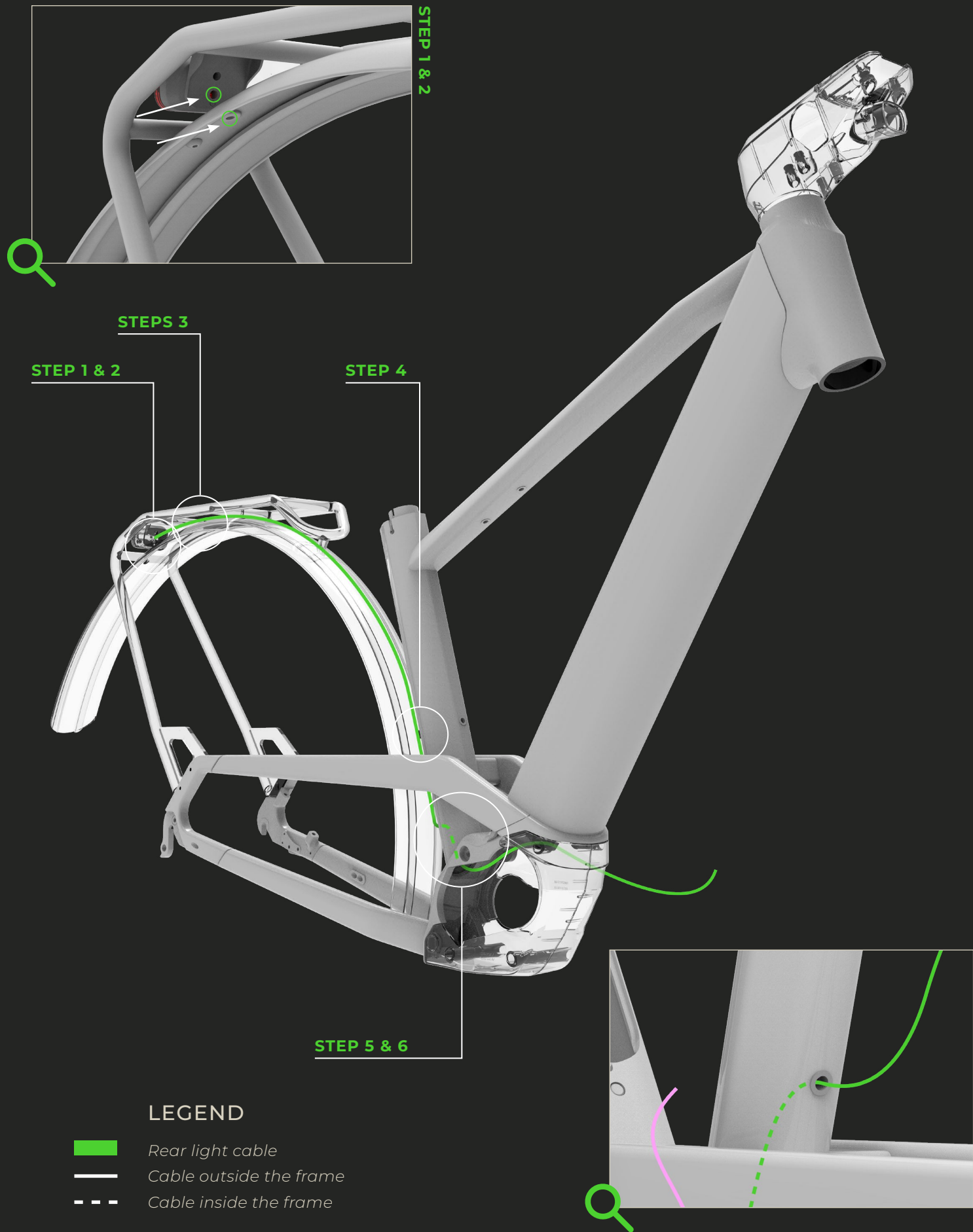
44

WARRANTY CONDITIONS

45



CABLE ROUTING



CABLE ROUTING REAR LIGHT

REAR LIGHT CABLE

i It is best to attach the fender to the frame only from step 5.

STEP 1 | Insert the rear light wire into the center hole of the rack mount.

STEP 2 | Imbricate the rear light to the support of the luggage rack. Secure the light using the screw provided for this purpose.

STEP 3 | Insert a grommet on the rear light cable, then insert the cable into the cavity provided for this purpose located on the rear fender.

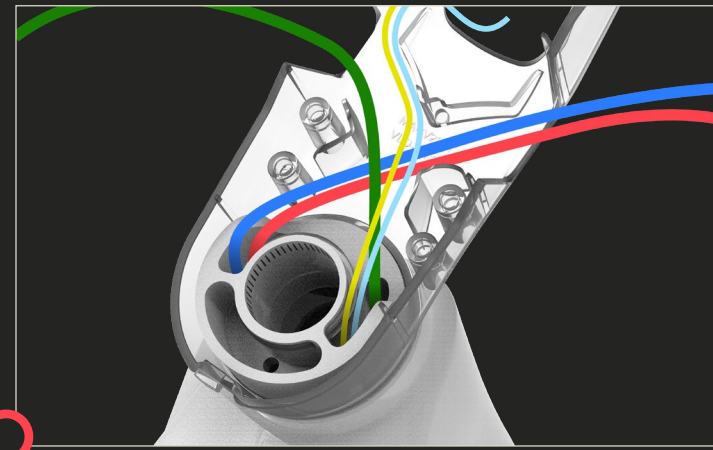
STEP 4 | Pass the wire through a second cavity located lower on the fender and insert a grommet on the cable. Push the cable under the integrated edges of the fender, respecting the orientation of the cavities.

i Attach the fender to the frame from step 5.

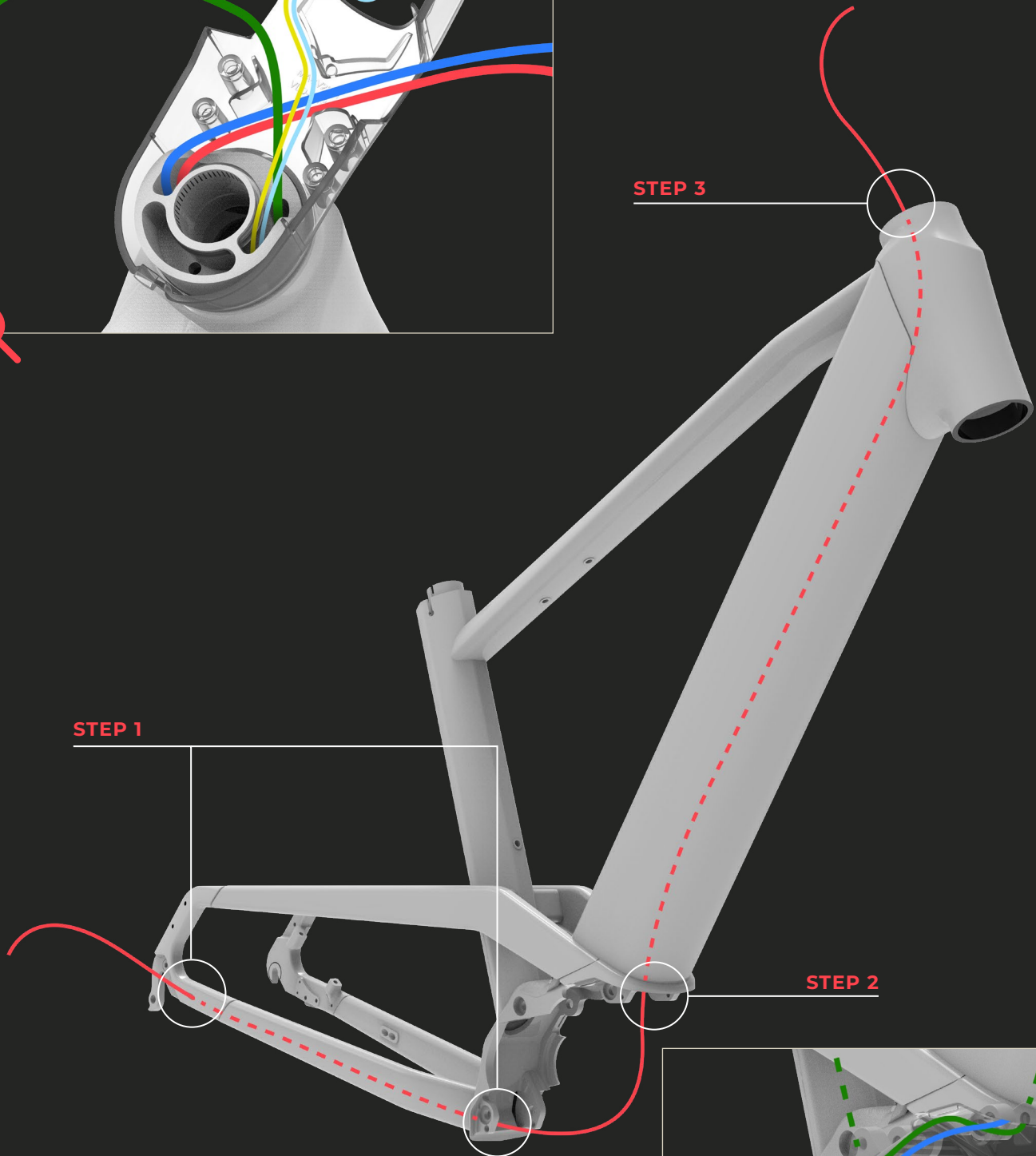
STEP 5 | Insert a grommet on the rear light cable and pull it through the cavity at the rear of the seat tube to the motor shell. Help yourself with a hook if necessary.

STEP 6 | Fix the grommet inserted earlier to the cavity located on the seat tube.

STEP 3



STEP 3



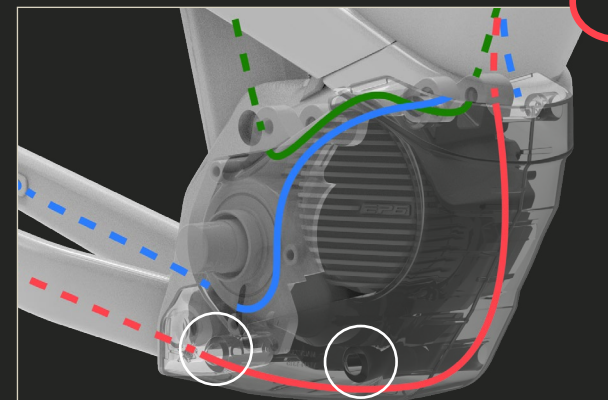
STEP 1

STEP 2



LEGEND

- Speed Housing
- Housing outside the frame
- Housing inside the frame



Make sure that the housings are inserted under the two fixations of the motor cover.



CABLE ROUTING

REAR DERAILLEUR HOUSING



REAR DERAILLEUR HOUSING

STEP 1 | Insert the derailleur housing into the cavity located on the right side of the base and push it inside the base up to the motor shell.

STEP 2 | Pull the derailleur housing out through the motor shell. Help yourself with a hook if you have difficulty extracting housing.

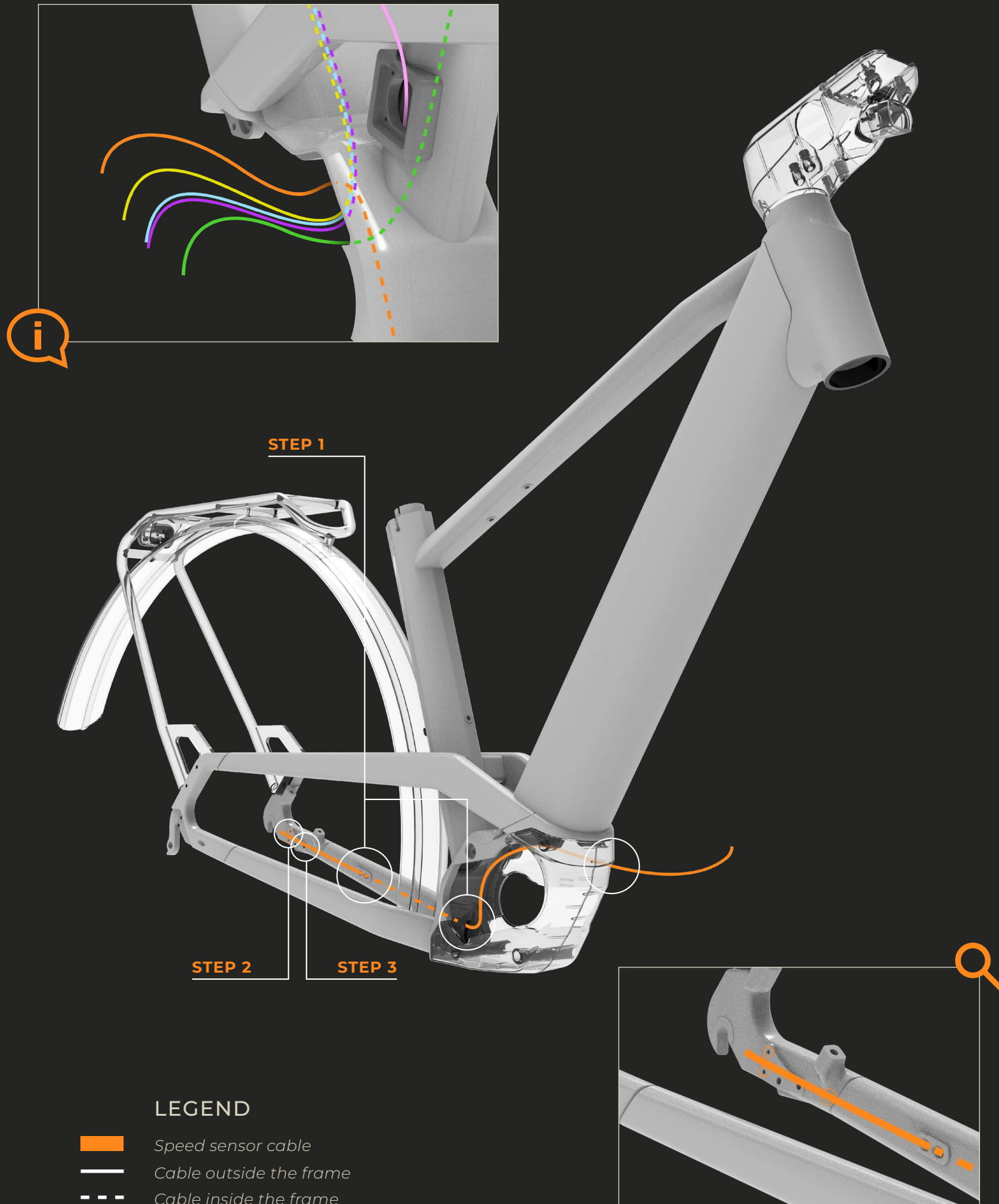
STEP 3 | Pass the derailleur housing inside the down tube and out the left side of the steering column.



Make sure to leave space between the housing and the motor shell so that the motor can be inserted between the two.



CABLE ROUTING SPEED SENSOR CABLE



SPEED SENSOR CABLE



Rotate the frame vertically so that the back of the frame is pointing up to facilitate the cable insertion using gravity.

STEP 1 | Insert the head of the speed sensor cable into the lower cavity located inside the base. Insert the speed sensor cable through the base up to the motor shell.

STEP 2 | Secure the sensor to the back of the base using the two screws supplied with the cable.




STEP 3 | Pass the wire through the separately supplied cable guide and secure it to the frame. Note that the cable will be in contact with the welding and that this is normal.



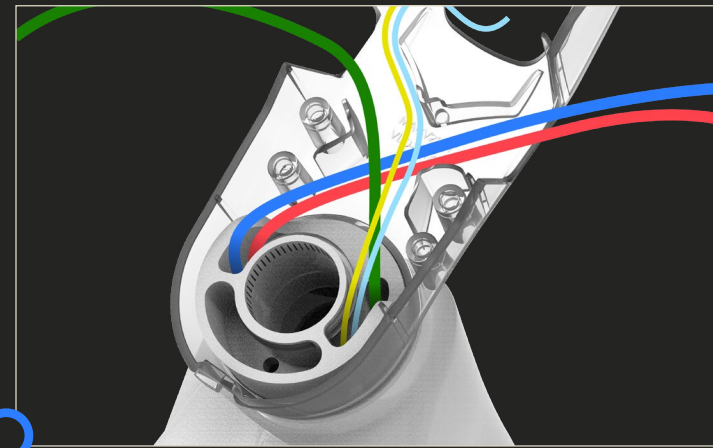
Make sure the cables come out of the frame on the left side of the motor shell.



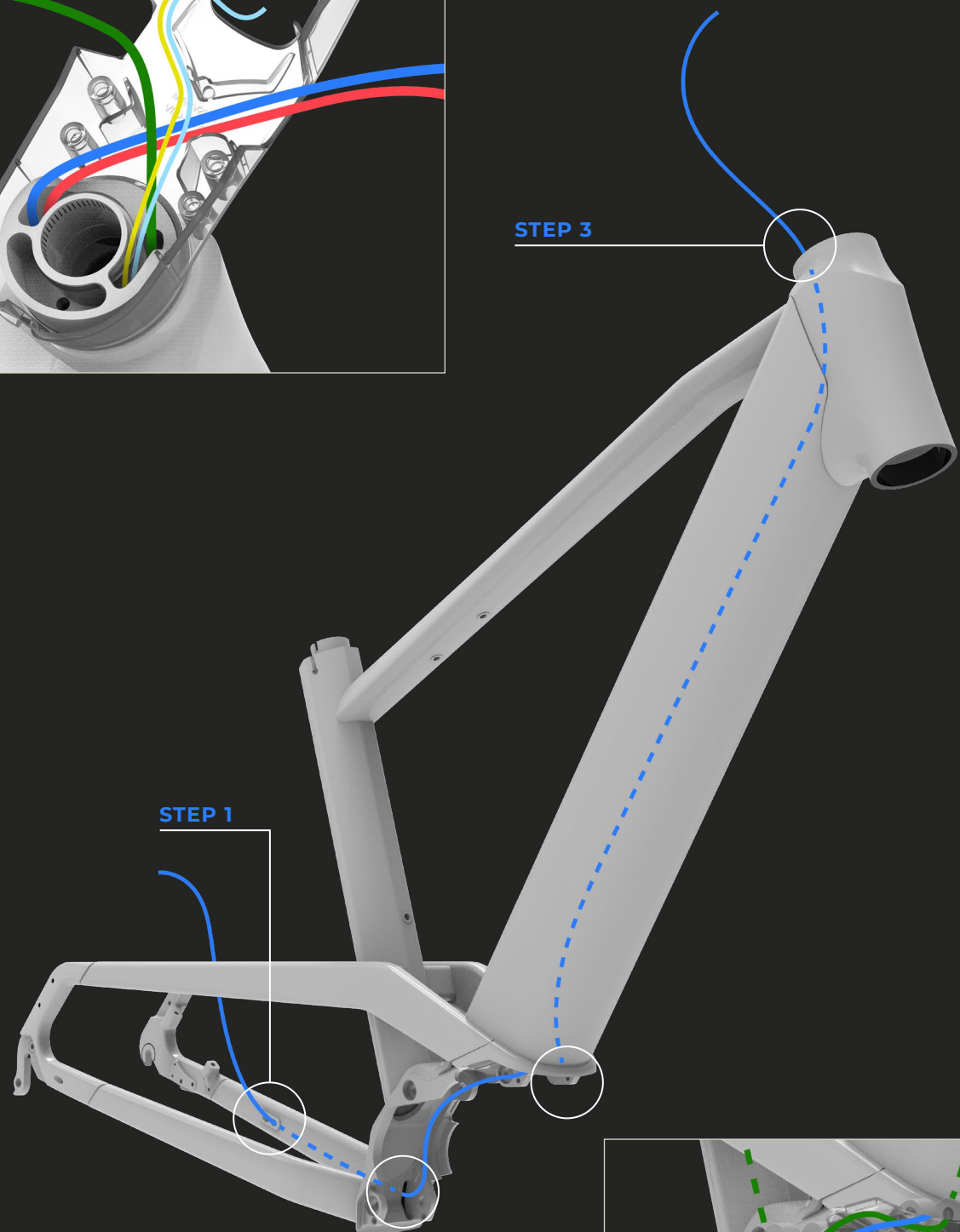
LEGEND

-  Speed sensor cable
-  Cable outside the frame
-  Cable inside the frame

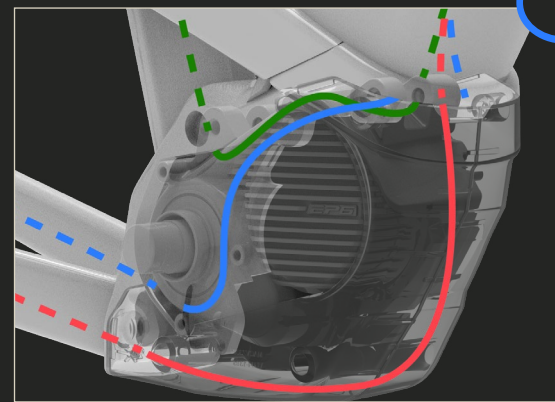
STEP 3



STEP 3



STEP 1



Make sure that the housings are inserted under the two fixations of the motor cover.

LEGEND

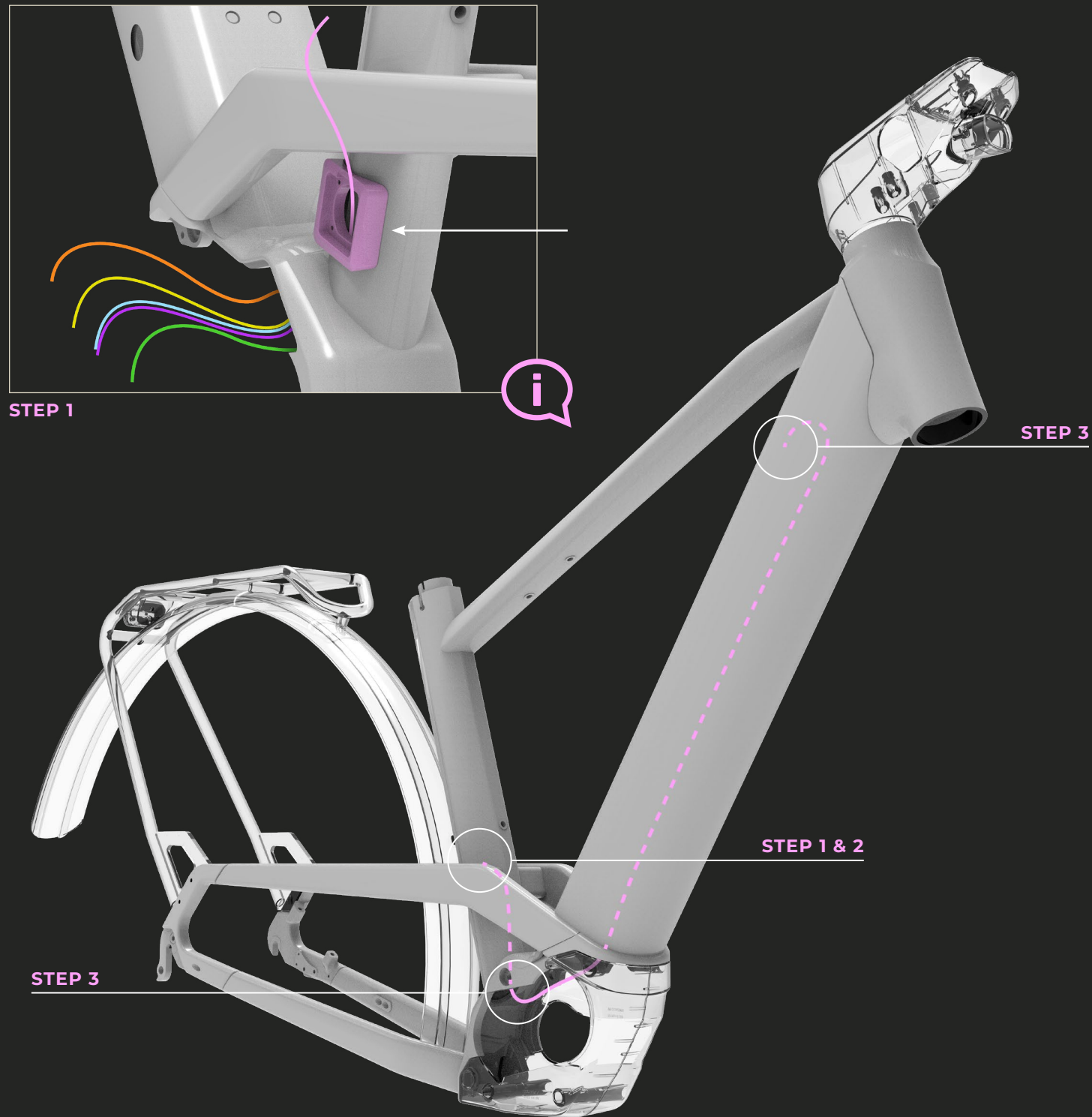
- Rear brake housing
- Housing outside the frame
- - - Housing inside the frame

CABLE ROUTING

REAR BRAKE HOUSING

REAR BRAKE HOUSING

- STEP 1** | Insert the brake housing into the upper cavity of the guide integrated into the base, located on the rear left side of the bicycle. Push the rear brake housing through the base up to the motor shell.
 - STEP 2** | Pull the housing out through the motor shell. Help yourself with a hook if you have difficulty extracting the housing.
 - STEP 3** | Insert the housing inside the down tube parallel to the speed housing up to the steering column, then bring it out on the left side.
- i** Make sure to leave space between the housing and the motor shell so that the motor can be inserted between the two.



STEP 1

STEP 3

STEP 1 & 2

STEP 3

LEGEND

- Charging port cable
- Cable outside the frame
- Cable inside the frame



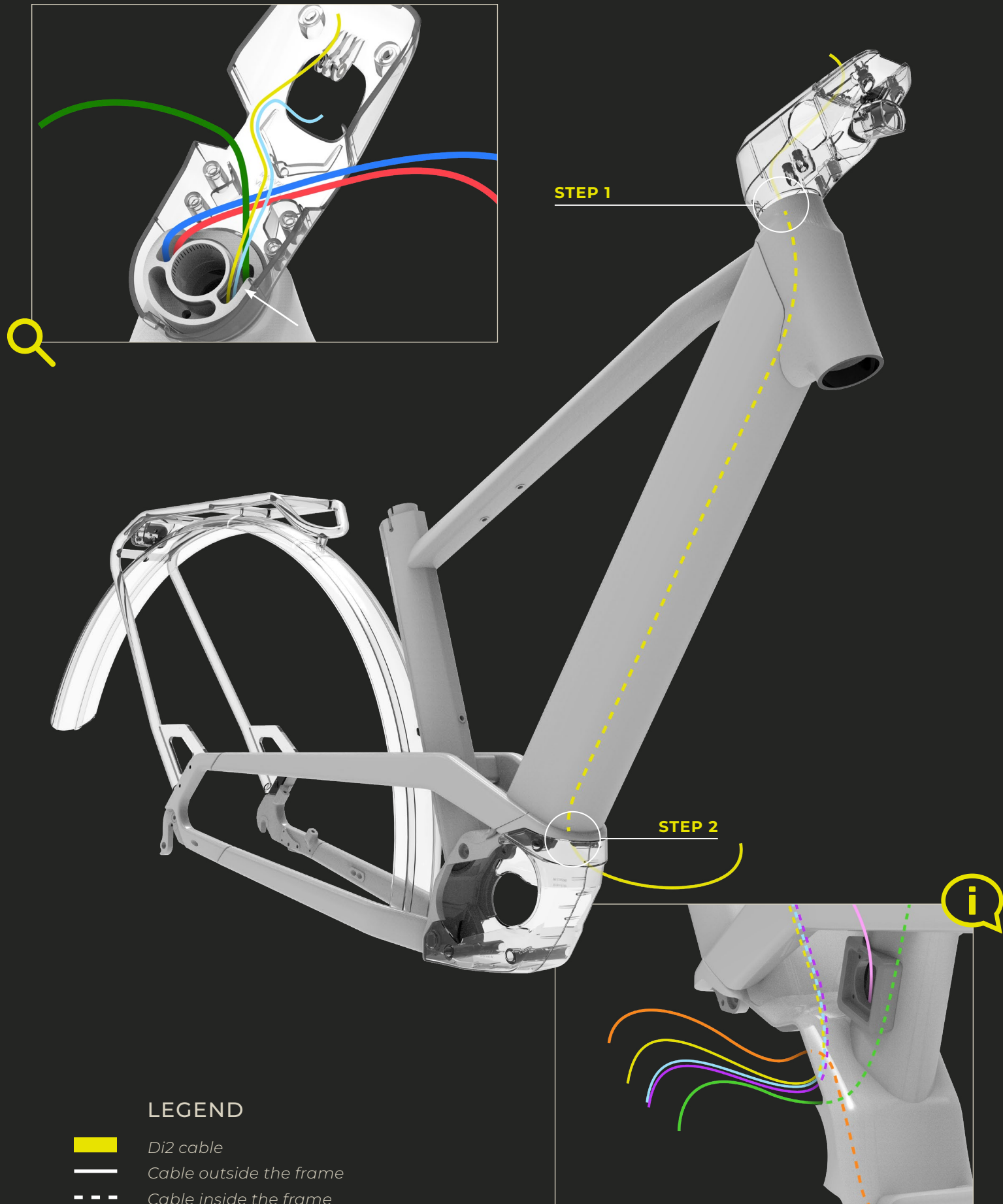
CABLE ROUTING CHARGING PORT CABLE



CHARGING PORT CABLE

- STEP 1** | Insert the connector into the cavity located on the left side of the bike, at the level of the seat post. Push the rest of the cable up to the motor shell.
- STEP 2** | Position the charging port head to the frame. Install the charging port applying 1.5 Nm to the four screws to hold it in place.
- STEP 3** | Leave the charging port cable hanging down until the battery holder is installed in the following steps. Then connect the charging port cable to the battery holder.

Make sure the cables come out of the frame on the left side of the motor shell.



CABLE ROUTING

Di2 CABLE

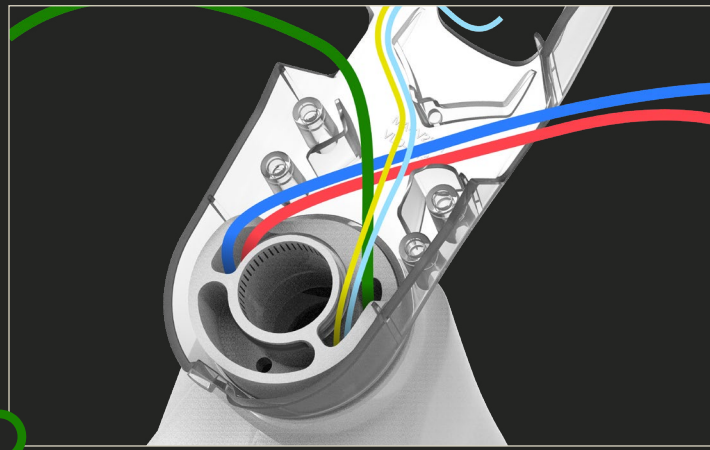
Di2 CABLE

STEP 1 | Insert the Di2 cable head into the upper right cavity of the steering column.

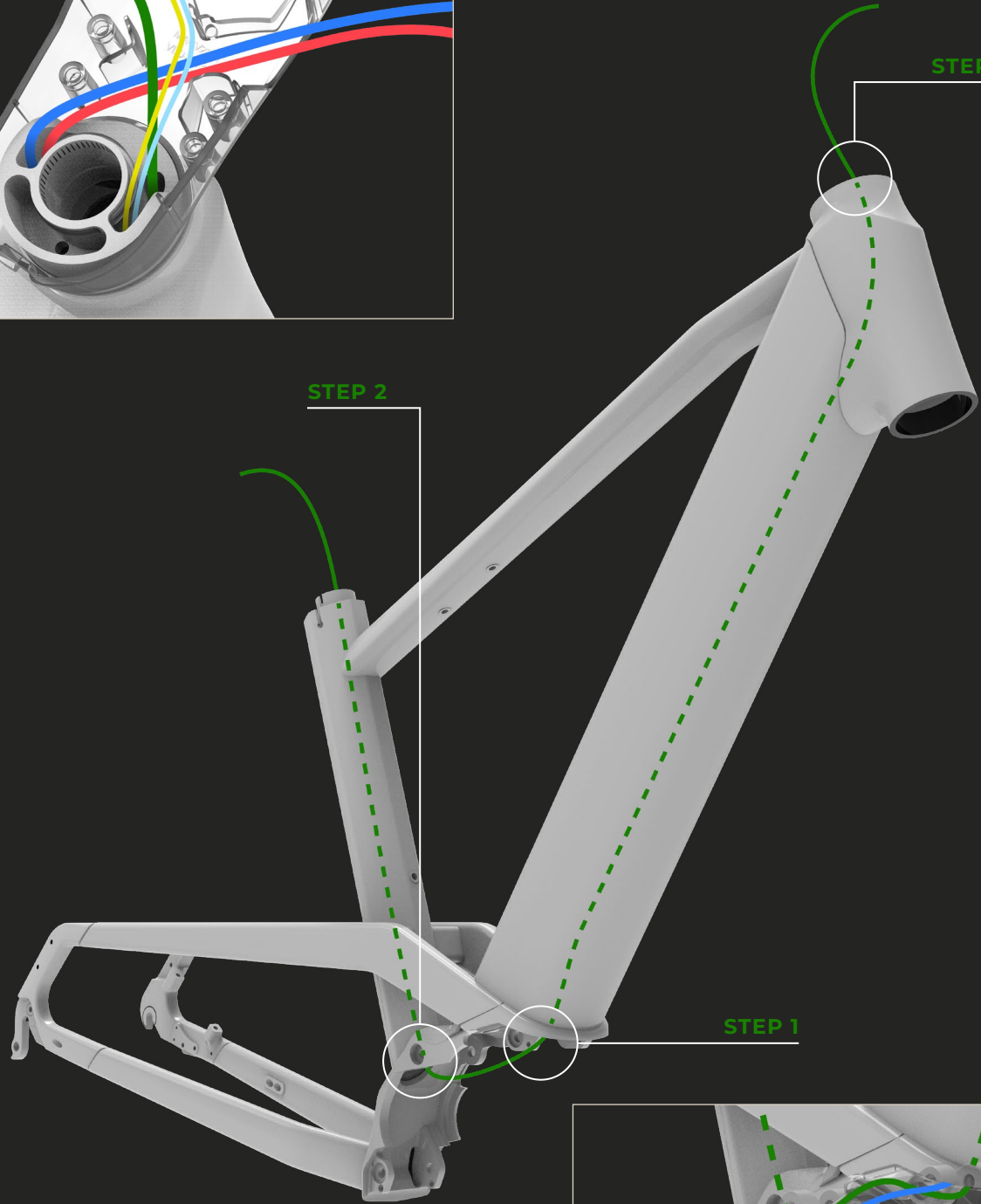
STEP 2 | Insert the cable all the way through the down tube to the motor shell – parallel to the cables and housings inserted earlier. Let the Di2 cable hang down to the left side of the frame.

⚠ Make sure the cables come out of the frame on the left side of the motor shell.

STEP 1



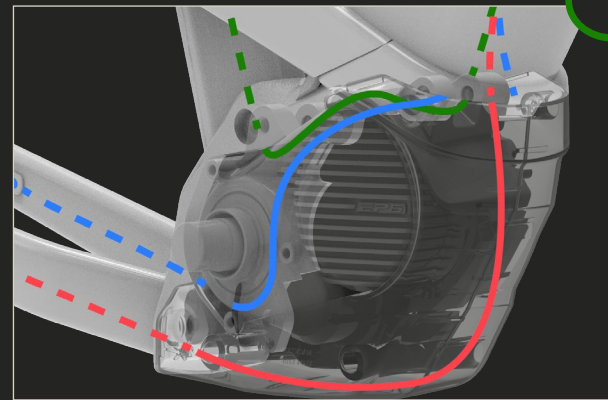
STEP 1



STEP 2



STEP 1



Make sure the seatpost housing is stretched enough to not crowd the motor.

LEGEND

- █ Seatpost housing
- █ Housing outside the frame
- - - Housing inside the frame



CABLE ROUTING SEATPOST HOUSING



SEATPOST HOUSING

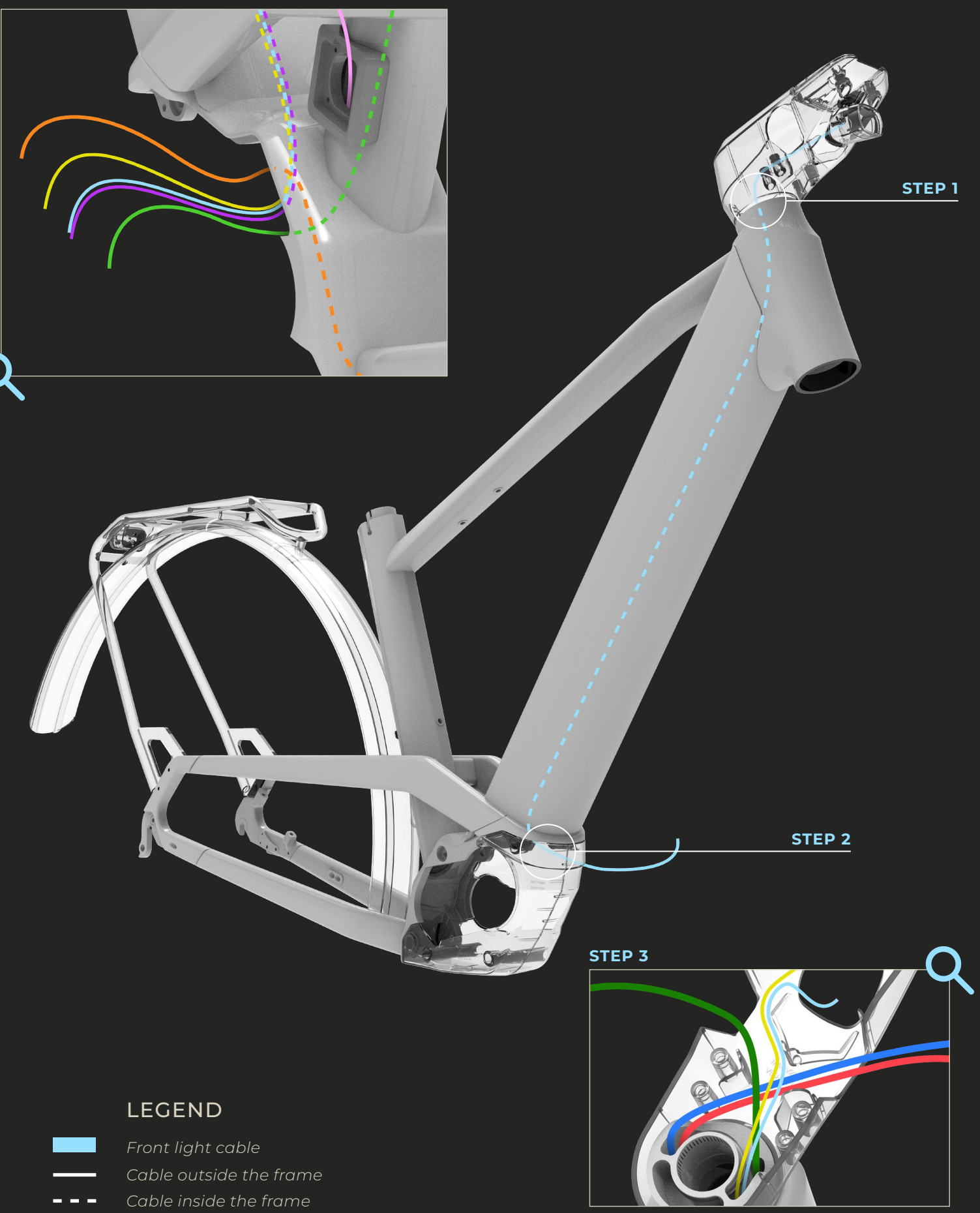
STEP 1 | Insert the seatpost housing into the upper cavity on the right side of the steering column. Push the housing through the down tube to the far left of all other housings and cables inserted earlier up to the motor shell.

STEP 2 | Reinsert the housing to the upper end of the seat tube through the cavity located at the top of the motor shell.

i Tighten the seatpost housing so that it is as close as possible to the upper area of the motor shell. The seat post housing must be located above the motor.



CABLE ROUTING FRONT LIGHT CABLE



STEP 1

STEP 2

STEP 3

LEGEND

- Front light cable
- Cable outside the frame
- - - Cable inside the frame

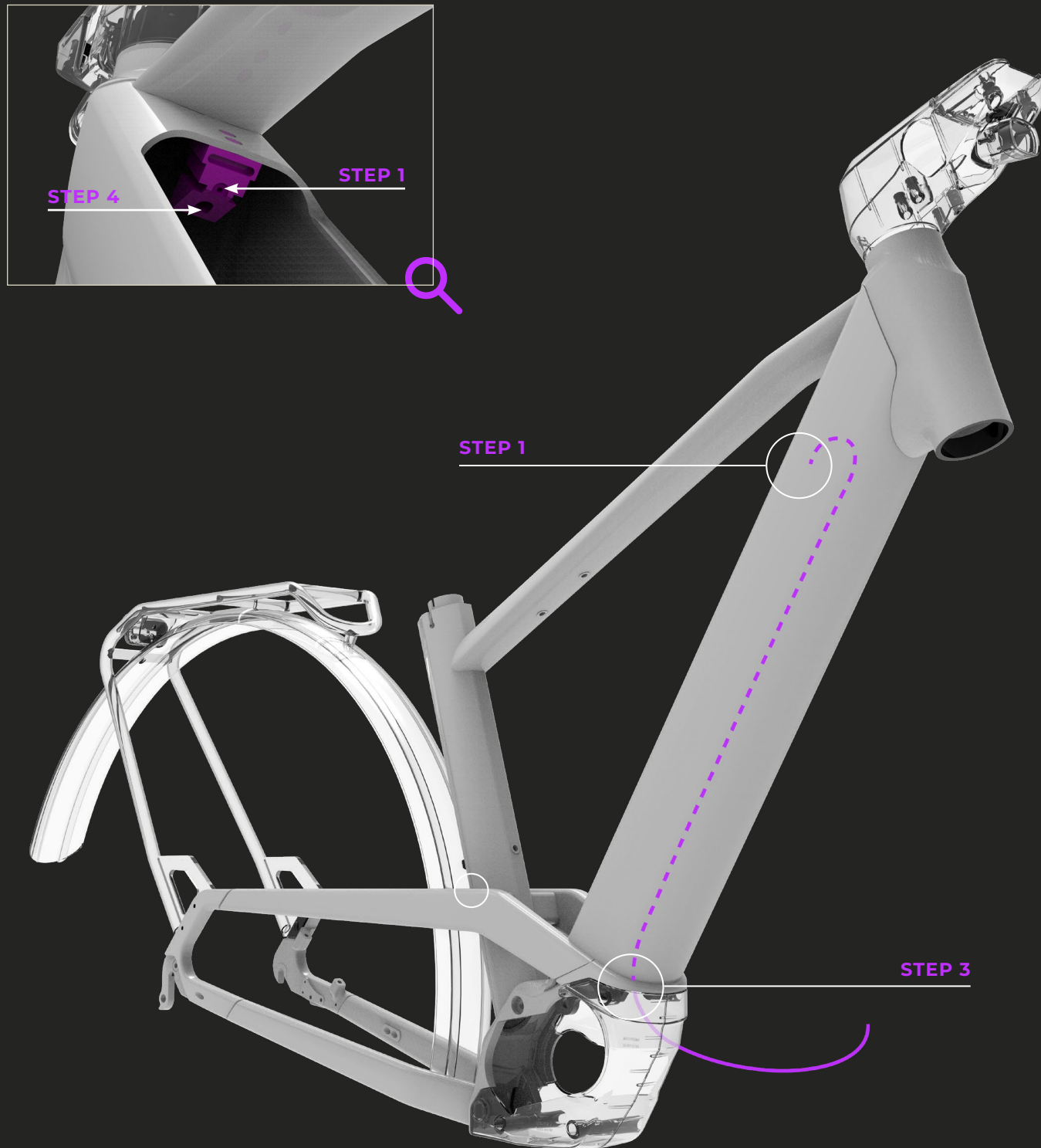
FRONT LIGHT CABLE

STEP 1 | Insert the end of the cable (with two small black and red wires) into the upper right cavity of the steering column.

STEP 2 | Insert the cable in the down tube up to the motor shell by orienting it on the left side of the frame.

i Make sure that the cable is parallel and not criss-crossed with the other cables and housings present in the down tube.

STEP 3 | Let the side of the cable with the connector hang about 150mm at the level of the steering column.






STEP 4

STEP 1

STEP 1

STEP 3

LEGEND


-  Motor power cable
-  Cable outside the frame
-  Cable inside the frame

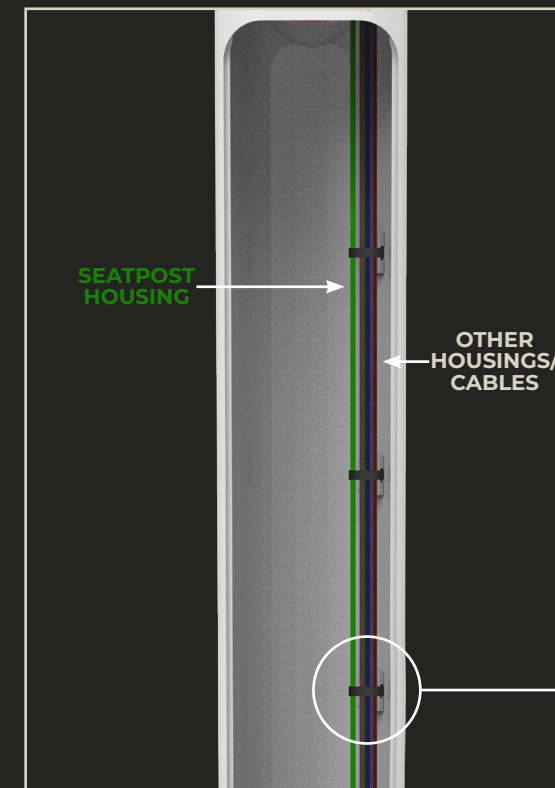


CABLE ROUTING POWER MOTOR CABLE

POWER MOTOR CABLE

- STEP 1** | Lightly screw the small screw supplied with the cable using a 2mm wrench inside the top of the down tube. The head of the screw should protrude approximately 5mm.
- STEP 2** | Connect the male connector into the female connector of the charging port cable.
- STEP 3** | Insert the other end of the cable – with the round connector – into the down tube, parallel to the other housings and cables inserted previously. Bring it out through the motor shell. Let the cable hang down.
- STEP 4** | Fix the triangular block using the last screw. Screw only the first threads.
- STEP 5** | Insert the battery holder and make sure to push the battery holder all the way to the bottom of the triangular block. Secure the bracket by tightening the last screw all the way.

 Make sure the cables come out of the frame on the left side of the motor shell.

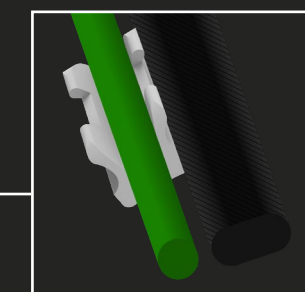


LAST STEPS

SECURING HOUSINGS AND CABLES INSIDE THE DOWN TUBE

For these steps, make sure you have the housing and cable's casing as well as five (5) small ties.

- STEP 1** | Separate all housings and cables from the seatpost housing while ensuring that no housings or cables are criss-crossed.
- STEP 2** | Wrap all cables and housings using the casing while excluding the seatpost housing.
- STEP 2** | Secure the envelope using two (2) ties at each end.

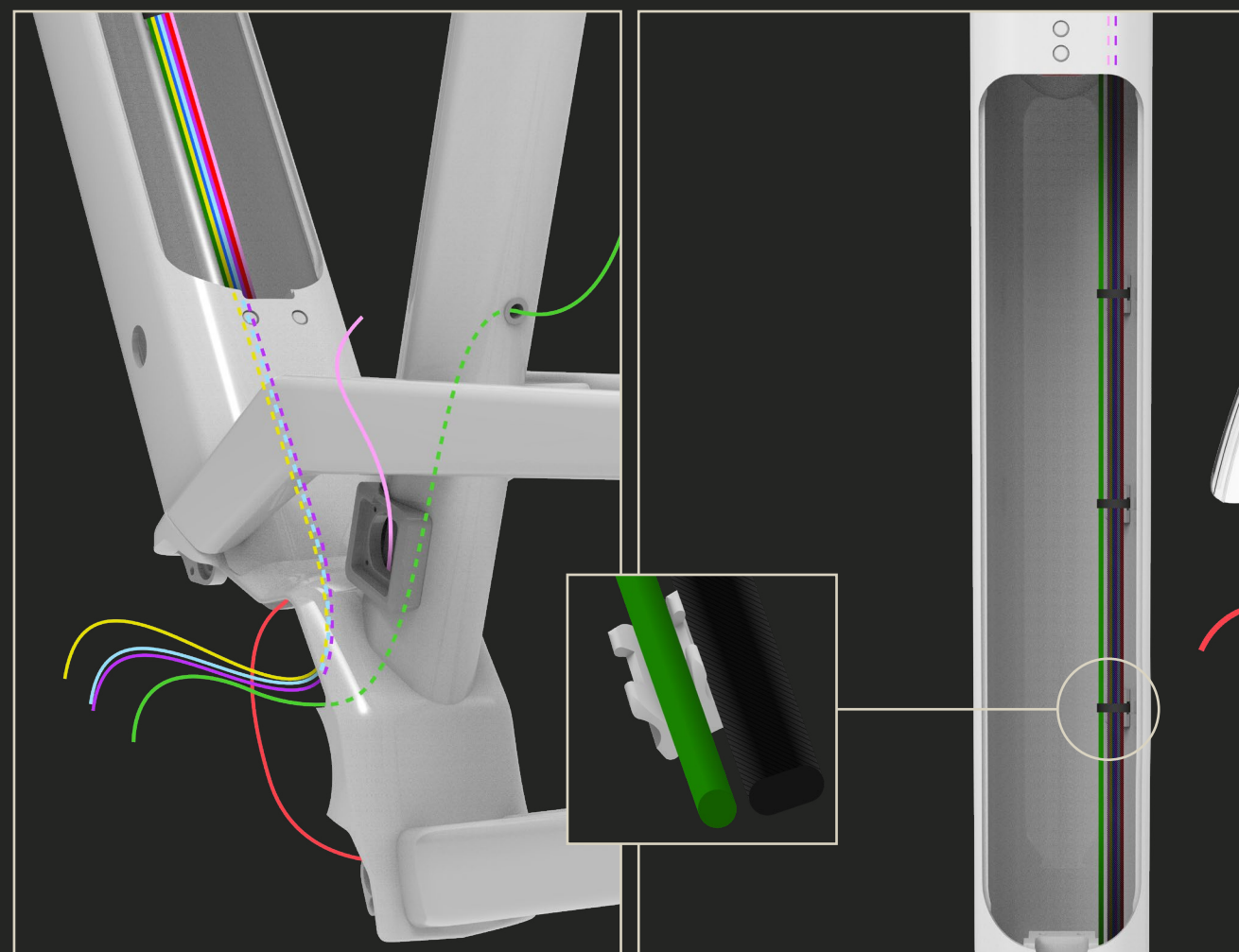
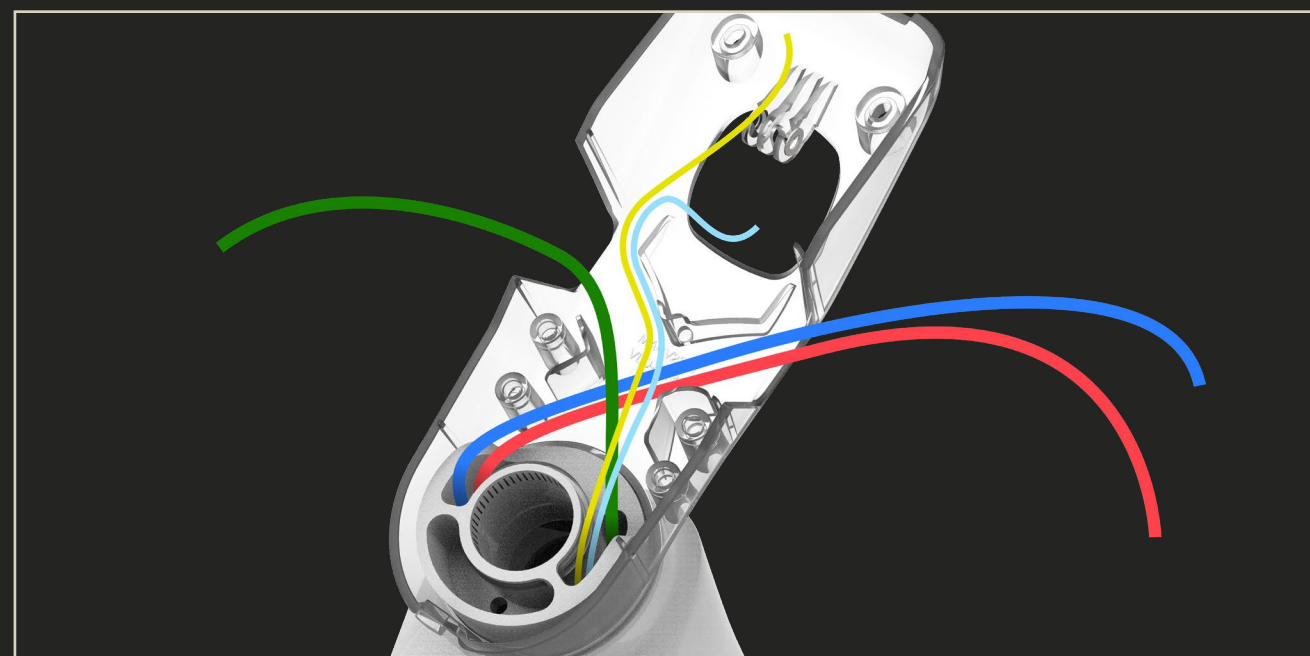


LAST STEP

Attach the seatpost housing and casing to the three (3) guides in order to immobilize them properly inside the down tube. Tighten the ties so that everything is well fixed, but that the seatpost housing can slide easily. Make sure that the heads of the ties are facing the inside wall of the down tube and not the battery.

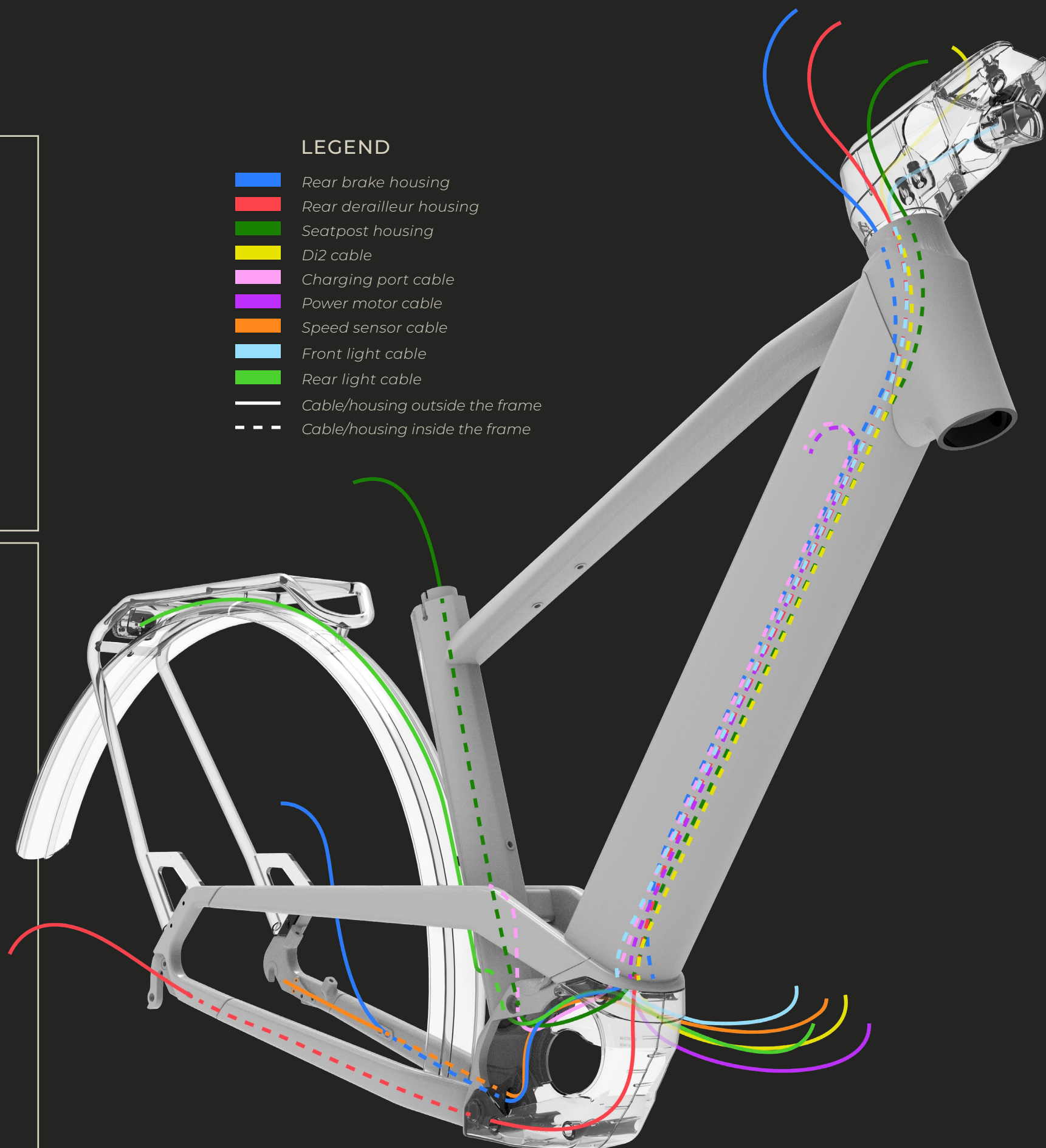


CABLE ROUTING OVERVIEW



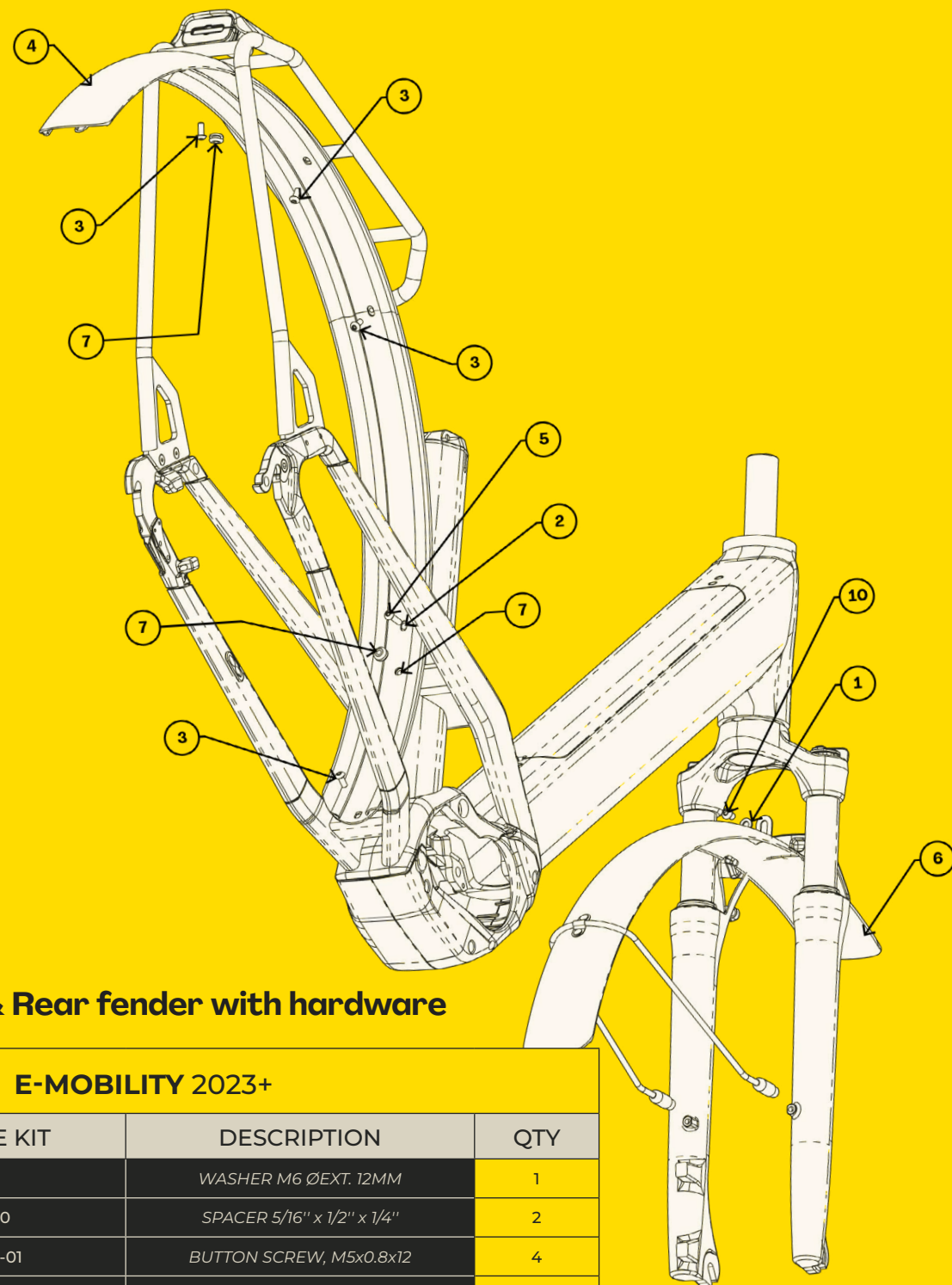
LEGEND

- Rear brake housing
- Rear derailleur housing
- Seatpost housing
- Di2 cable
- Charging port cable
- Power motor cable
- Speed sensor cable
- Front light cable
- Rear light cable
- Cable/housing outside the frame
- Cable/housing inside the frame



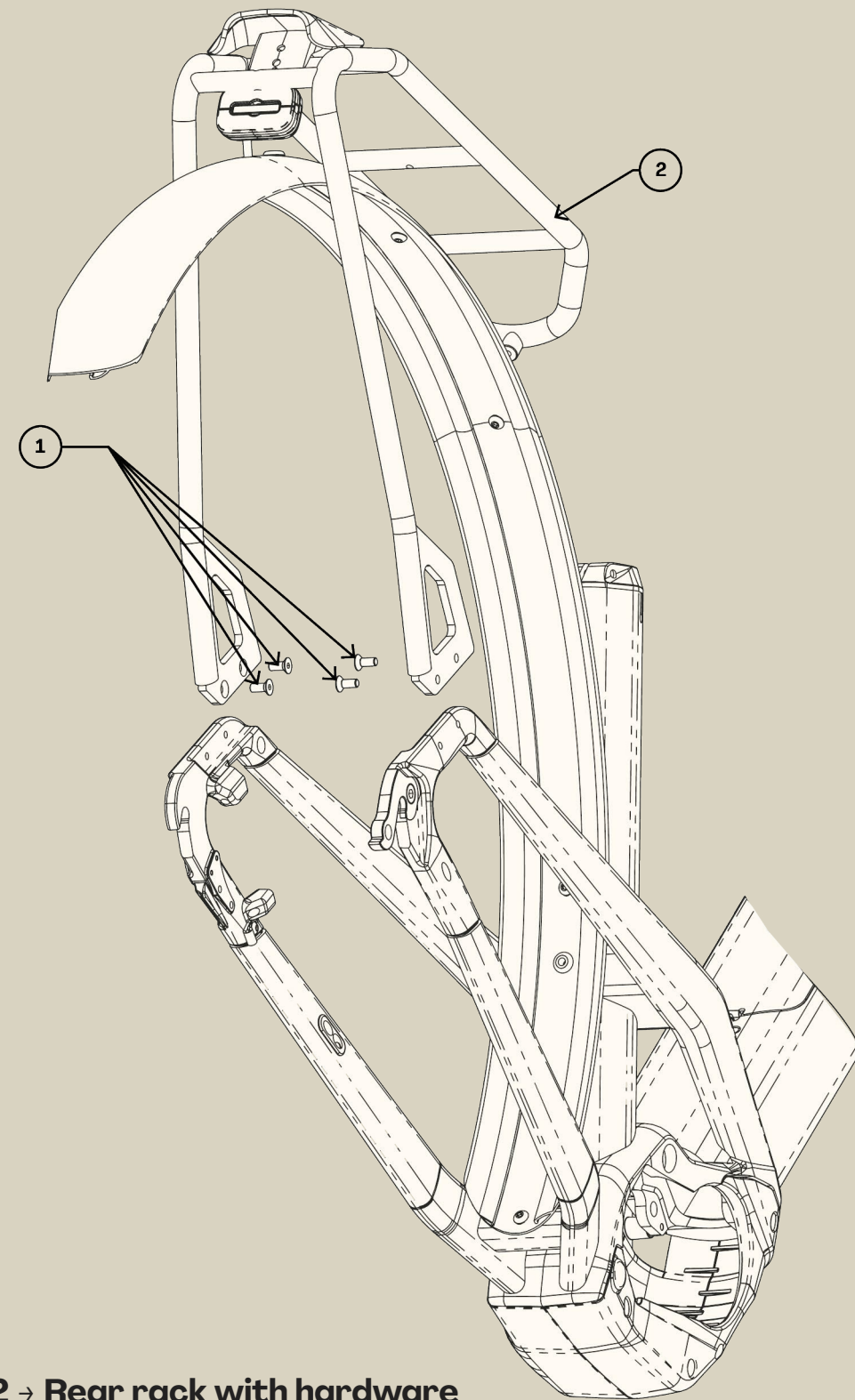


SERVICE KIT



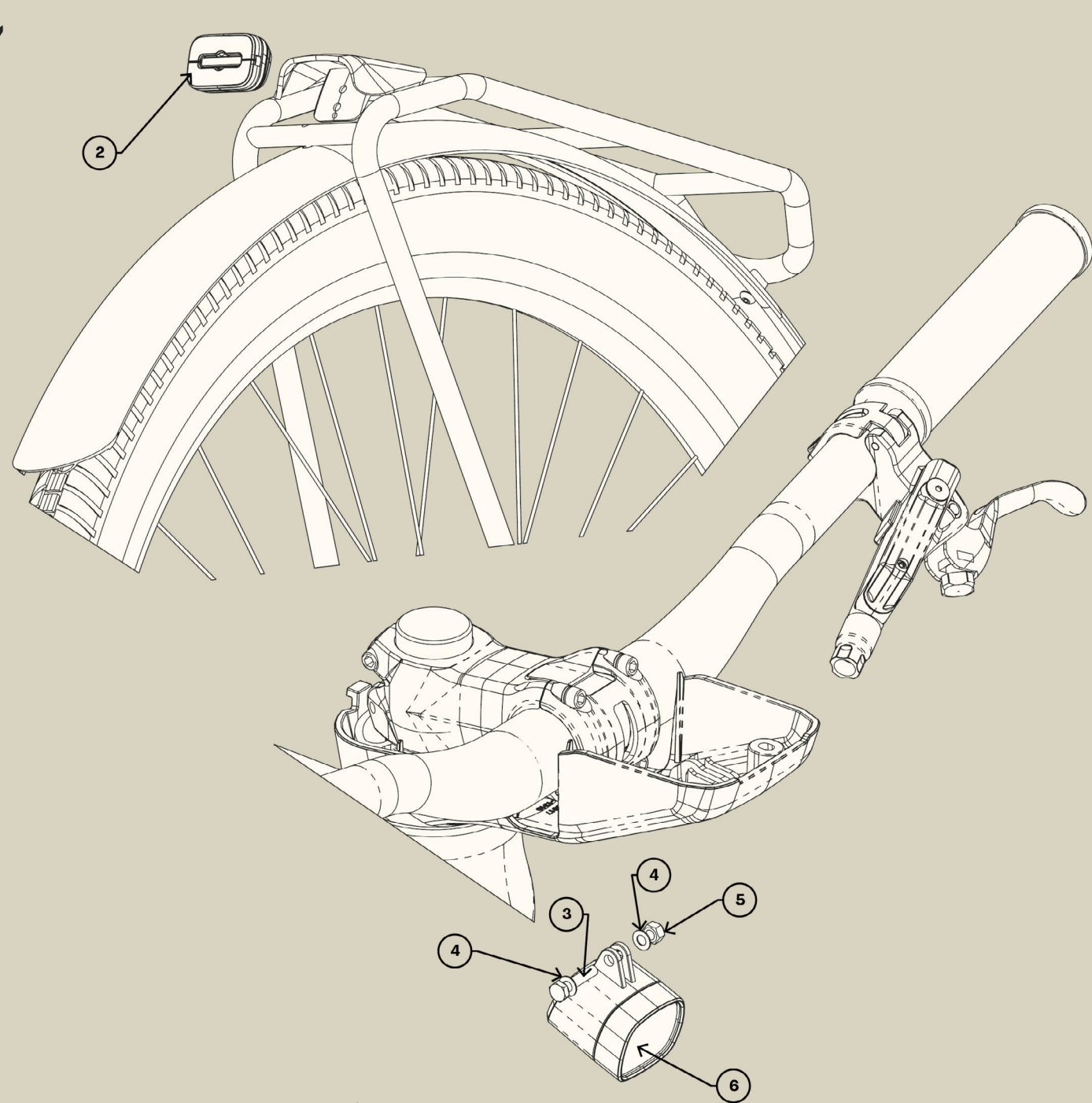
KFC07401 → Front & Rear fender with hardware

E-MOBILITY 2023+			
ITEMS	# SERVICE KIT	DESCRIPTION	QTY
1	MFV001	WASHER M6 ØEXT. 12MM	1
2	MFP23020	SPACER 5/16" x 1/2" x 1/4"	2
3	MFV07003-01	BUTTON SCREW, M5x0.8x12	4
4	MAFER23001	REAR FENDER	1
5	MFV034	M5x0.8x20	1
6	MAFEF23002	FRONT FENDER	1
7	MFQ00118	Ø5/16" GROMMET	3
8	MFV00071	BUTTON SCREW M6x1.0x10MM	1



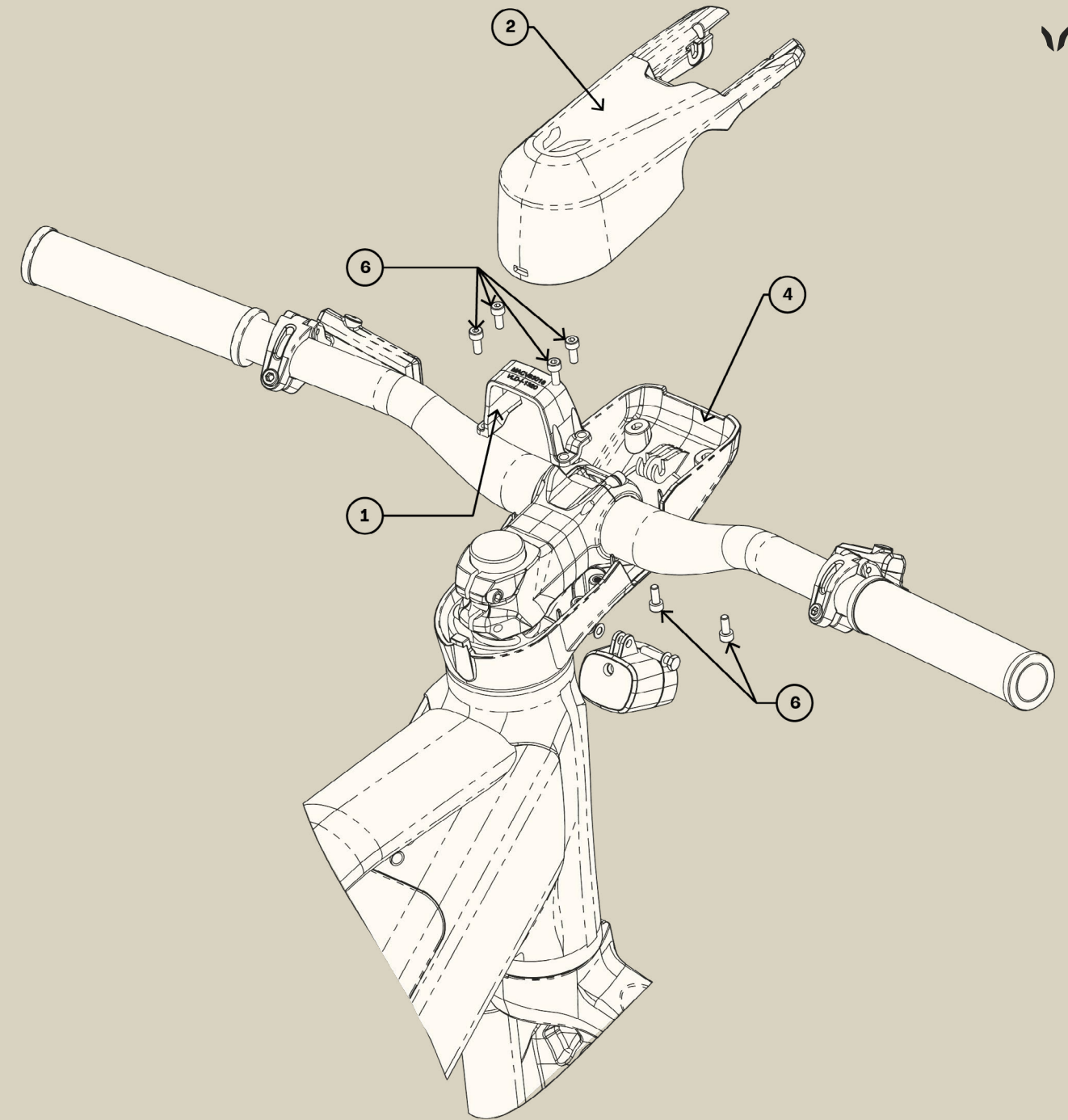
KFC07402 → Rear rack with hardware

E-MOBILITY 2023+			
ITEMS	# SERVICE KIT	DESCRIPTION	QTY
1	MFV18003	SOCKET PLAT SCREW M5x0.8 x 12MM	4
2	MARK23001	REAR RACK ALUMINIUM	1



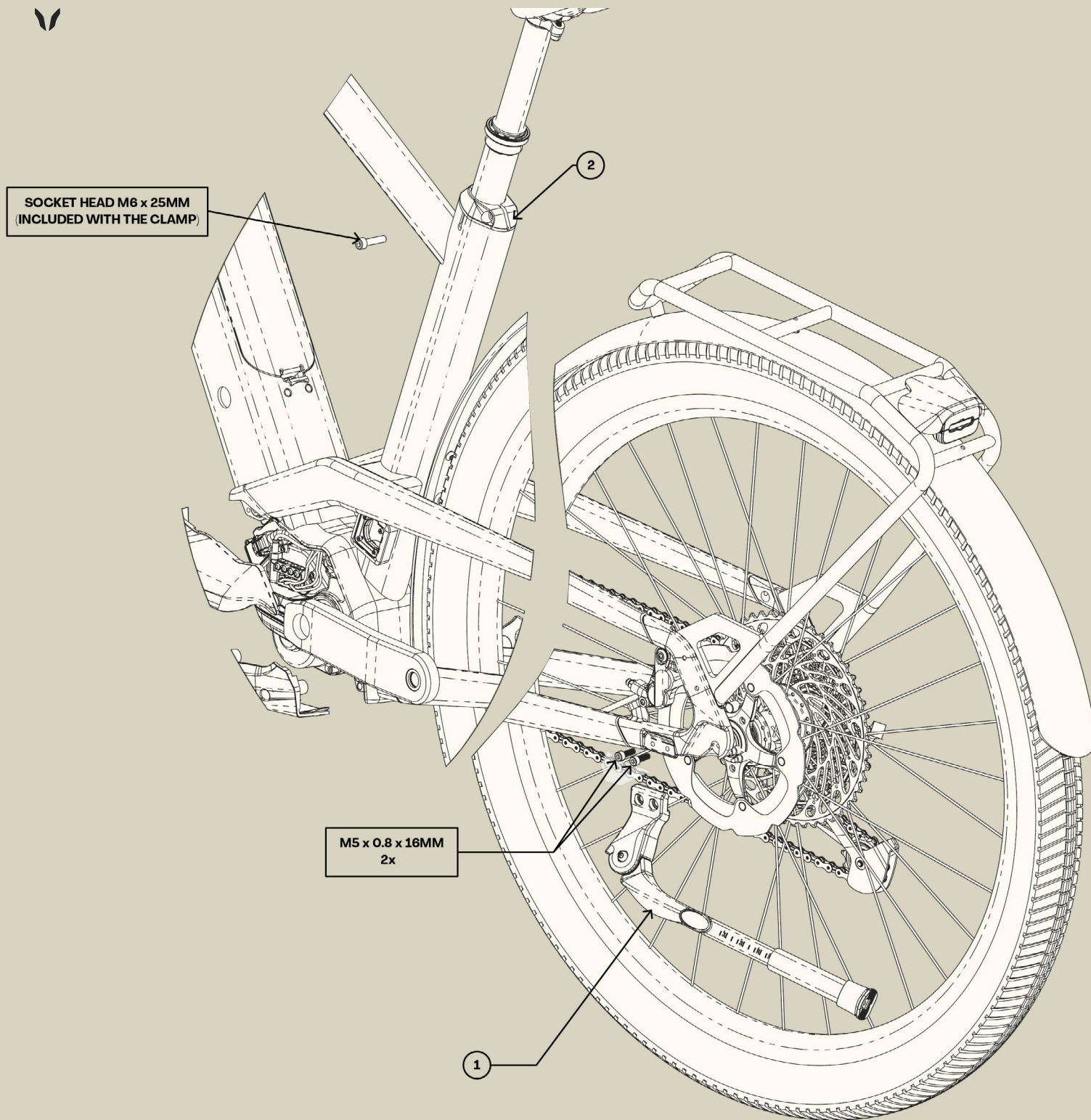
KFC07403 → Front & rear lights

E-MOBILITY 2023+			
ITEMS	# SERVICE KIT	DESCRIPTION	QTY
1	MFV21019	EJOT SCREW WN1452 HEAD K30 10MM	4
2	MALG23002	REAR LIGHT LR-09	1
3	MFV23018	HEX HEAD SCREW M4x0.7x20MM	1
4	MFV23008	FLAT WASHER M4	2
5	MFV00108	NYLON HEX LOCKNUT M4x0.7	1
6	MALG23001	FRONT LIGHT C9	1



KFC07404 → Cockpit stem components

E-MOBILITY 2023+			
ITEMS	# SERVICE KIT	DESCRIPTION	QTY
1	MACV23018	LOOP CLAMP COCKPIT E-MOB	1
2	MACV23016	TOP COCKPIT COVER E-MOB	1
3	MFV23008	FLAT WASHER M4, Ø8MM	2
4	MACV23017	LOWER COCKPIT COVER E-MOB	1
5	MFV23019	SPRING LOCKWASHER M4	2
6	MFV21023	ALLEN CAP SCREW M4x0.7x10MM	8

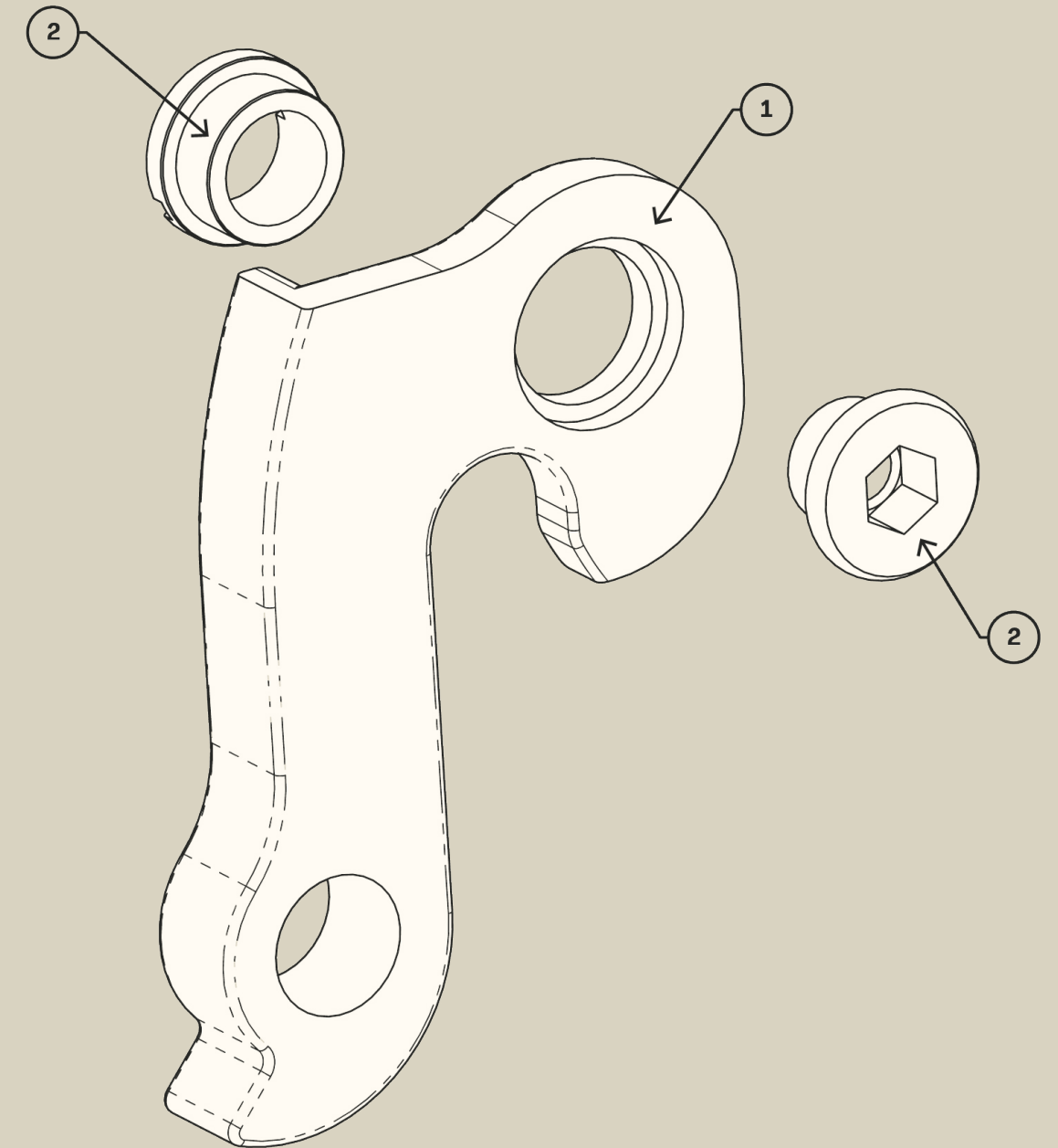


E-MOBILITY 2023+			
ITEMS	# SERVICE KIT	DESCRIPTION	QTY
↓ KFC07405 → Kickstand with hardware			
1	MAKS23001	KICKSTAND 24"-29" BLACK DM	1
↓ KFC07406 → Seatclamp with hardware			
2	MASC23001	SEAT CLAMP DEVINCI H 34.9 BLACK	1

KFC07407 → RD Hanger 2002

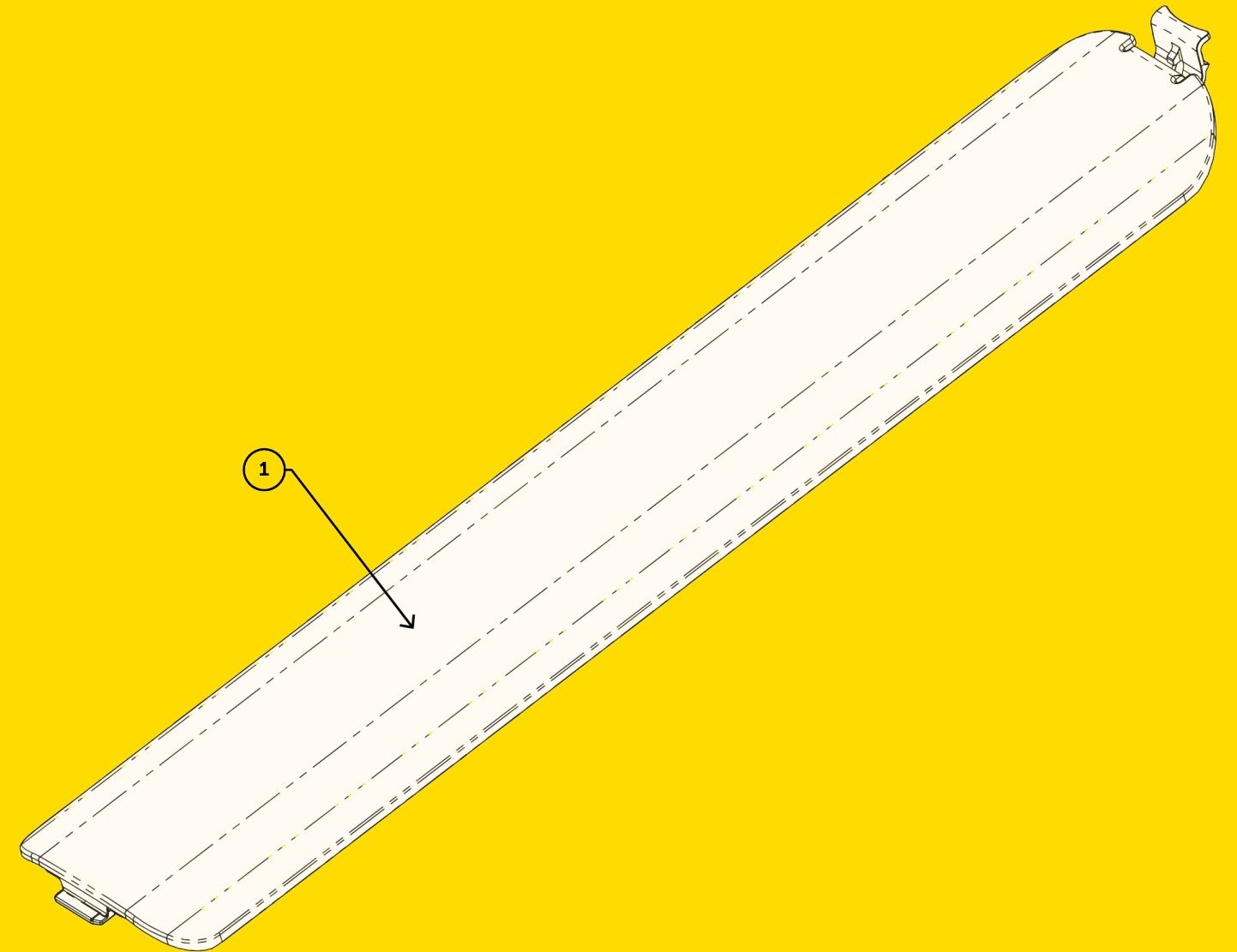
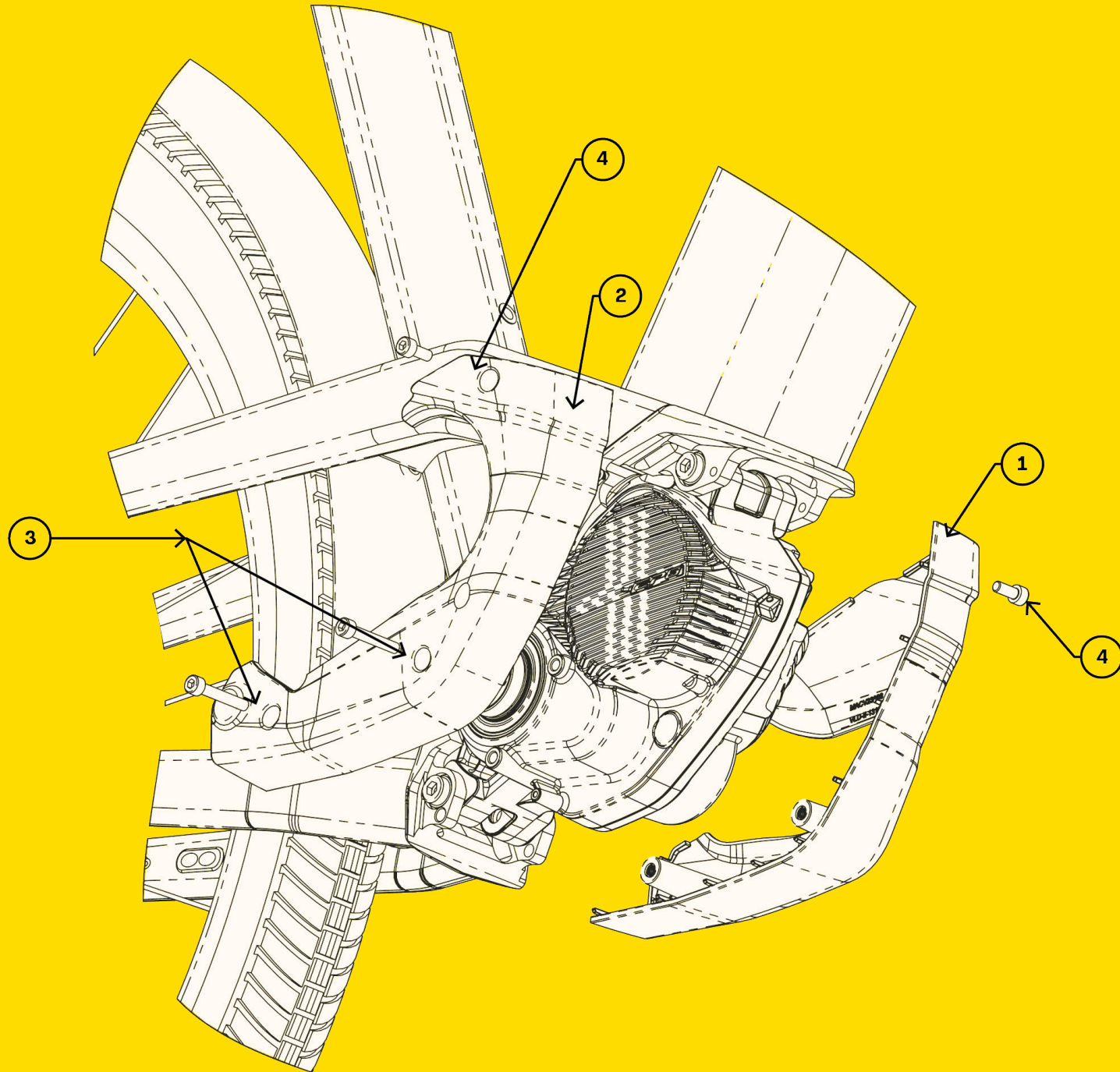


E-MOBILITY 2023+			
ITEMS	# SERVICE KIT	DESCRIPTION	QTY
1	MFD205	Deraillieur Hanger 2002	1
2	MFD205	Inner Screw	1
3	MFD205	Outter Screw	1



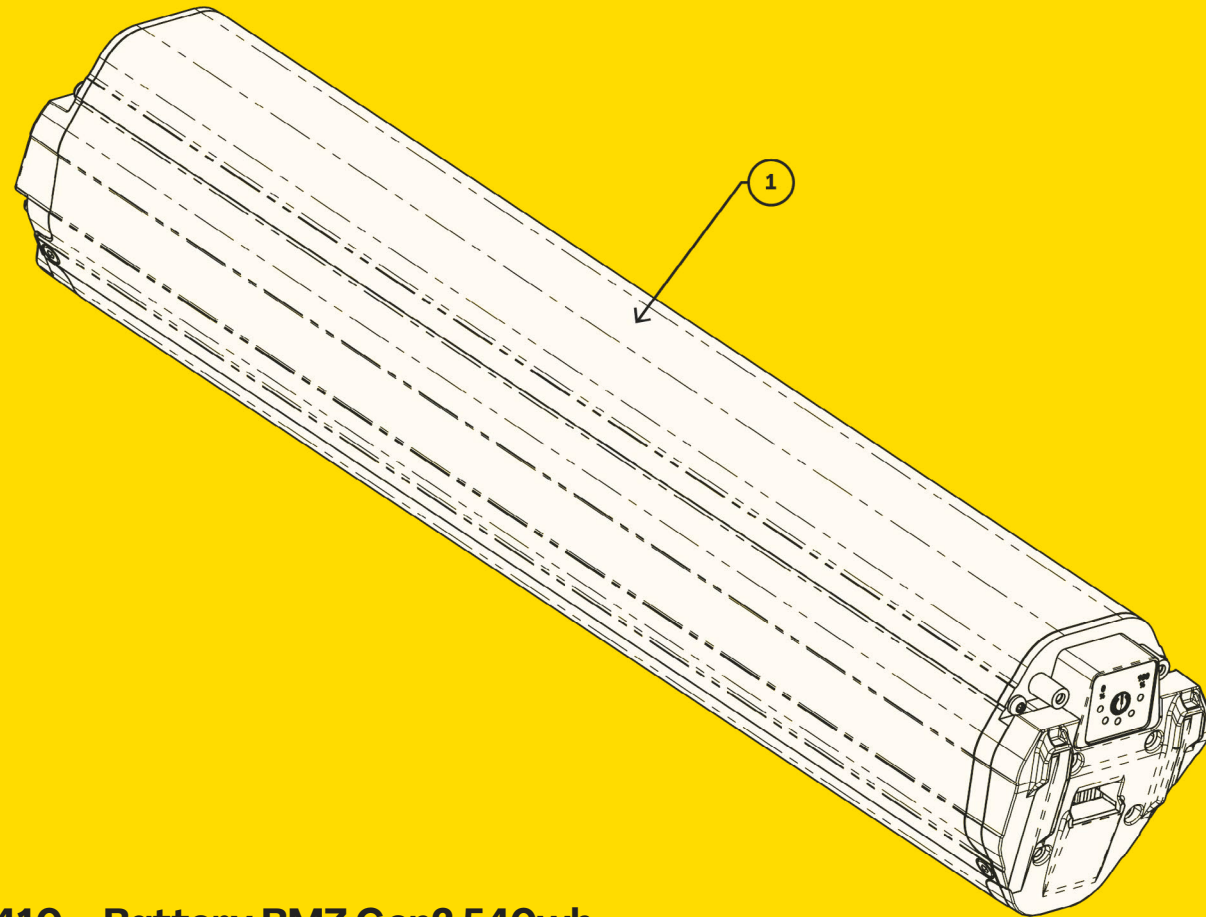
KFC07408 → Motor cover with hardware

E-MOBILITY 2023+			
ITEMS	# SERVICE KIT	DESCRIPTION	QTY
1	MACV23008	Motor cover Left side E-Modility	1
2	MACV23007	Motor cover right side E-Mobility	1
3	MFV00119	SOCKET CAP SCREW M5x0.8x30MM	2
4	MFV21009	SOCKET CAP SCREW M5x0.8x12MM	2



KFC07409 → Battery cover

E-MOBILITY 2023+			
ITEMS	# SERVICE KIT	DESCRIPTION	QTY
1	MACV23009	BATTERY COVER E-MOB	1



KFC07410 → Battery BMZ Gen2 540wh

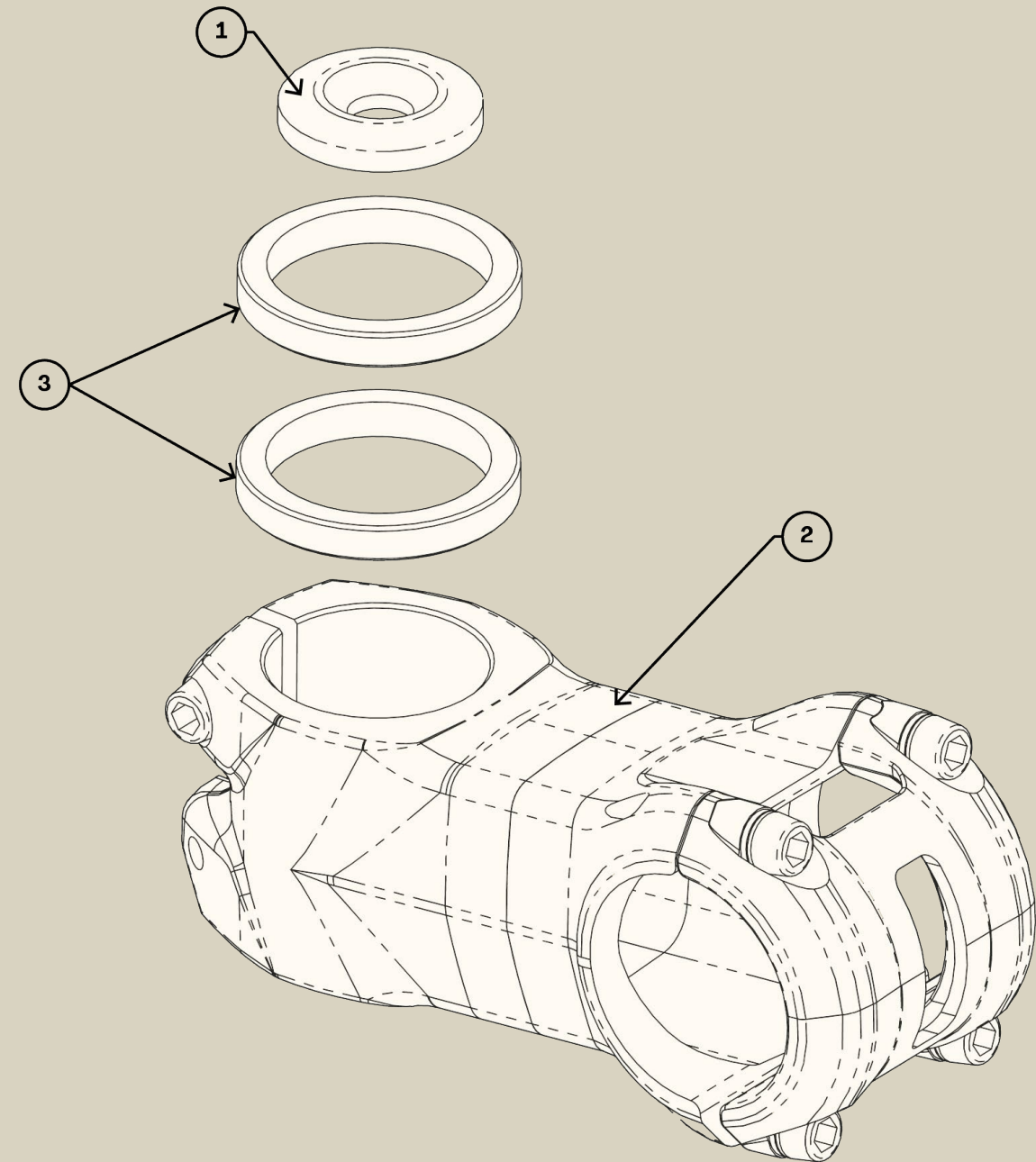
E-MOBILITY 2023+			
ITEMS	# SERVICE KIT	DESCRIPTION	QTY
1	MABT23002	Battery BMZ V10 Gen2 540wh w/lockCap	1

KFC07411 → Battery BMZ Gen2 725wh

E-MOBILITY 2023+			
ITEMS	# SERVICE KIT	DESCRIPTION	QTY
1	MABT23001	Battery BMZ V10 Gen2 725 w/o lockCap	1

KFC07412 → Charger and power cord

E-MOBILITY 2023+			
ITEMS	# SERVICE KIT	DESCRIPTION	QTY
1	MACU21001	Battery Charger BMZ 36v 4A w/EUR cord	1
2	MAWR22002	Power Cord Band Unit NA BMZ	1



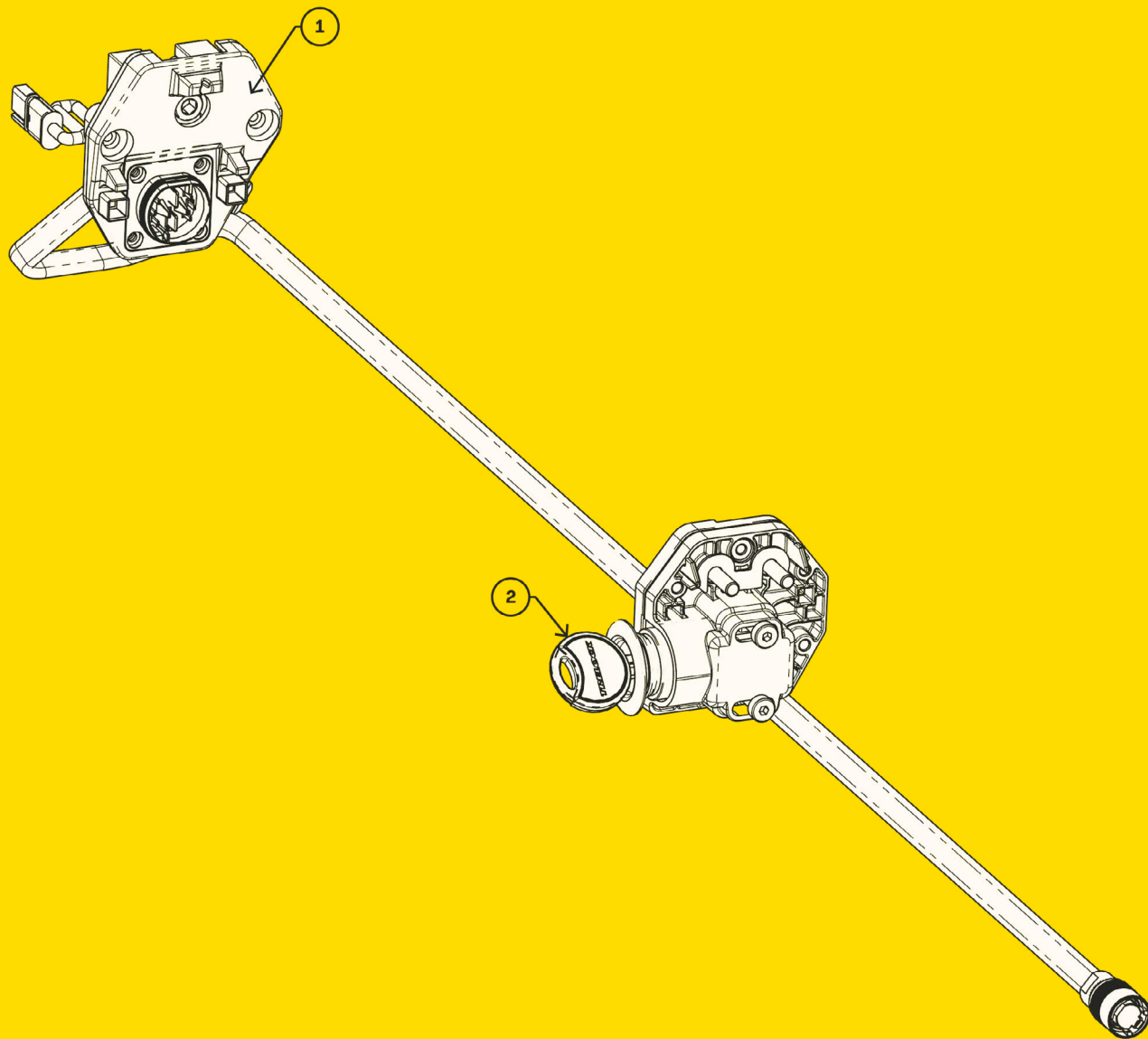
KFC07413 → Stem/top cap/Spacer

E-MOBILITY 2023+			
ITEMS	# SERVICE KIT	DESCRIPTION	QTY
1	MAAH17002	TOP CAP DEVINCI / 87 1-1/8" 32MM	1
2	MAST23002	STEM TRANZX ST230A 31.8 70MM 7 deg.	1
3	MASE18001	STEMP SPACER 28.8 x 5MM	2



KFC07414 → Battery mount

E-MOBILITY 2023+			
ITEMS	# SERVICE KIT	DESCRIPTION	QTY
1	MAWR23001	Plug Unit Gen2 BMZ battery 36V 900mm	1
2	MFP23017	Lock unit key 35mm BMZ	



WARRANTY



DEVINCI'S RIDE IN PEACE WARRANTY

ALL OUR FRAMES HAVE A LIFETIME WARRANTY

WARRANTY PERIOD FROM DEVINCI CYCLES INC

The frames of cycles devinci inc. are guaranteed against all manufacturing defects, for the periods specified below, as of the date of the initial purchase. During these specific periods, devinci will replace or repair without charge, and at its discretion, the devinci frames that display a manufacturing defect. The parts replaced or repaired in accordance with this warranty, will be covered for a period equal to the remaining portion of the warranty of the original equipment. Replacement parts are subject to availability. In certain cases, color and/or model may differ from the original parts.

BICYCLE FRAMES & WARRANTY PERIOD

Since 2006, all the frames bike model, including all mountain, freeride, downhill frames and dirt jump are guaranteed for life. Paint and decals for all models of frame:

- 1 year the pivots* for double suspension frames;
- 1 year the components assembled on devinci frames are guaranteed by their respective manufacturers.

Please contact your authorized devinci retailer. For more information regarding the applicable warranties.

*The pivots include the bearings, bolts and axles holding together the elements of the suspension of the rear triangle.

WARRANTY EXCLUSIONS

Each devinci bicycle was conceived for a specific use. The operational life of a bicycle varies according to its construction, maintenance and the care provided. Intensive use or use with a heavy load, use during competitions or for activities other than those for which the bicycle was conceived, greatly diminish its operational life. Any of these conditions may lead to random failure. Abusive use will therefore cancel the warranty.

EXCHANGE POLICY IN CASE OF ACCIDENT

Devinci is aware that the purchase of a high performance bicycle is done with the heart. This is why our customer service applies an exchange policy at a low price to accommodate claims that would have been refused for one of the reasons mentioned in the section "warranty exclusions". This policy applies only to the initial buyer. Please contact your devinci retailer for more information.

Limitation of liability: this is an integral warranty, complete and final, for devinci frames. Devinci does not give authorization to any other person, including the authorized devinci retailers, to assume or grant, expressly or implicitly, any or all addition(s) or extension(s) to the warranty specified herein. Any other obligation or responsibility expressed by any other person(s) and any demonstration or illustration of devinci frames is in no way linked to devinci and is furthermore excluded from this warranty.

Devinci assumes no liability in case of any property damage, moral or bodily injury to the user, the buyer or any other person(s), resulting from the use of a devinci frame or one of its components.

Except as limited or expressly forbidden by law, regarding any other condition or guarantee, express or implied, based in law, established commercial customs and usage, including, but not limited to, guarantee of merchantability or adaptation to a specific end, devinci declines any responsibility for any amount exceeding the actual purchase price of the bicycle nor for any particular, accessory or consecutive damages that may occur in connection with said bicycle.

With regard to the exercising of rights resulting from the present warranty, the buyer of a devinci frame agrees to elect domicile in the judicial district of chicoutimi, in the province of quebec, canada, as an appropriate place for the hearing of all claims or legal proceedings.



WARRANTY CONDITIONS

THIS WARRANTY DOES NOT COVER :

- Regular maintenance (cleaning, lubrication or inspection);
- TranOptimum S or shipping charges incurred as a result of the execution of the warranty;
- Cost of labour related to the assembly, disassembly, repair or replacement parts;
- Damages caused by normal wear and tear including damages caused by material fatigue.

THIS WARRANTY DOES NOT APPLY IF :

- The damages were caused by a fortuitous event;
- The bicycle was purchased from a retailer other than those authorized by devinci;
- The bicycle was not entirely assembled by an authorized devinci retailer;
- The bicycle was repaired by a person other than an authorized devinci retailer;
- You are not the original owner of the bicycle;
- The instructions contained in the user's manual for all frames and the technical manual for frames with double suspension were not respected;
- The periodic inspection recommended in the user's manual for all frames and in the technical manual for the frames with double suspension was not carried out;
- Parts not supplied by devinci with the bicycle or not indicated in the user's manual for all frames or the technical manual for the frames with double suspension were used;
- The bike paint is damaged as a result of an adhesive frame protector installation;
- The bicycle was used for an activity other than those for which it was conceived;
- The bicycle and/or its components were subject to abusive use, negligence, abnormal and/or excessive use or was implicated in an accident;
- The frame is too small for you;
- The frame and/or its components were modified (ex: polishing, structural or mechanical modification or addition, stripping, sanding, strain hardening, shot peening);
- You continued to use your bicycle while it was damaged.



Siège social

1555 Manic
Chicoutimi (Quebec) Canada
G7K 1G8

www.devinci.com
