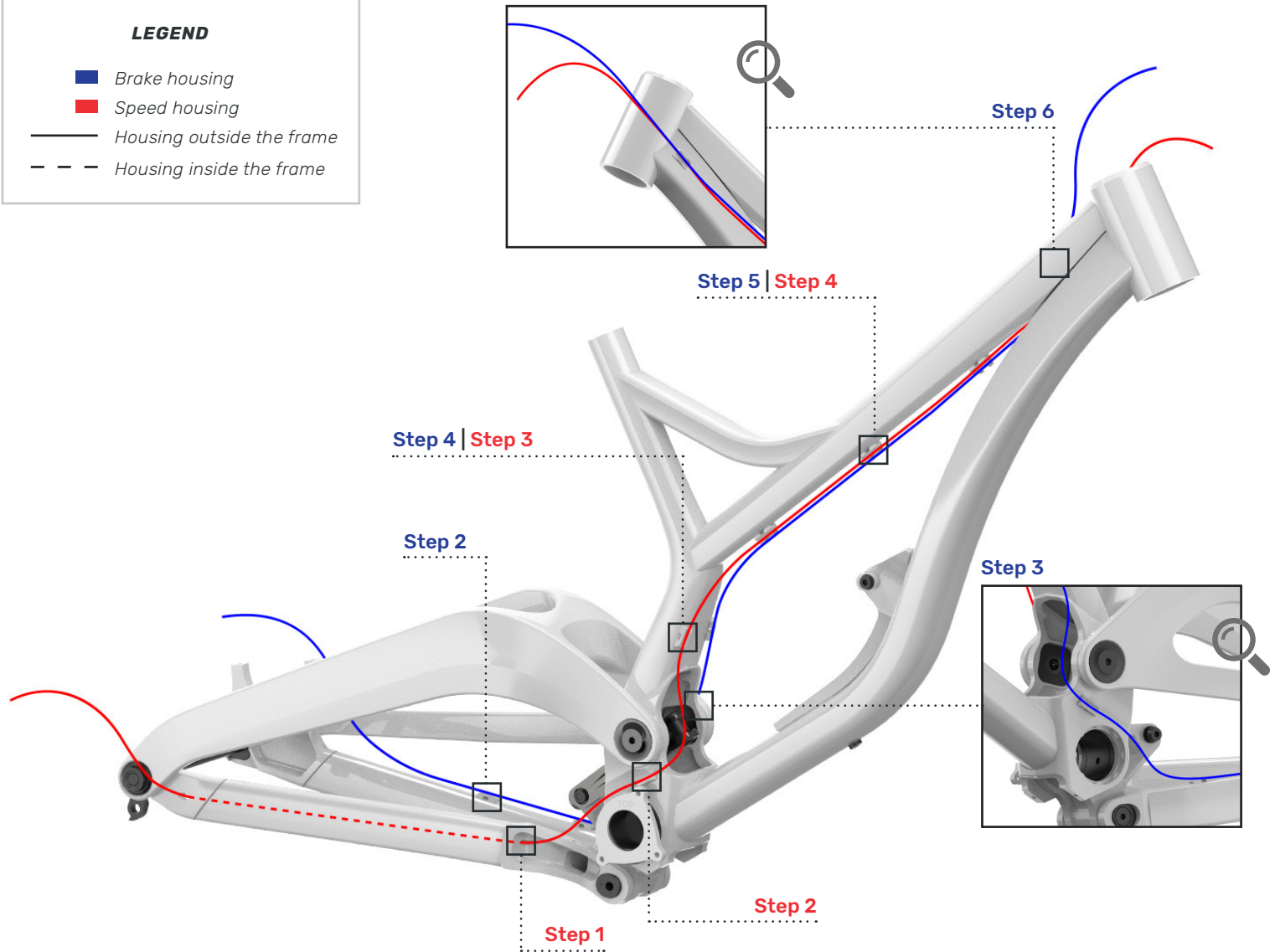


**LEGEND**

- Brake housing
- Speed housing
- Housing outside the frame
- - - Housing inside the frame



## BRAKE HOUSING

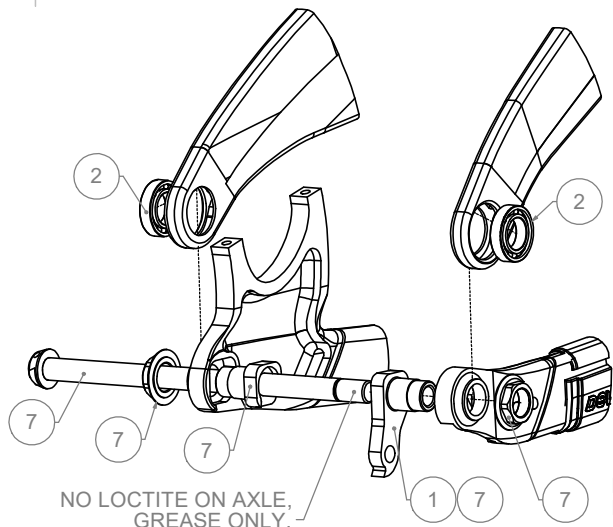
- Step 1** | Thread the housing to the left over the inner surface of the chainstay.
- Step 2** | Attach the housing to the two guides located on the chainstay.
- Step 3** | Secure the housing to the guide located above the cup of the left bottom bracket.
- Step 4** | Attach the housing to the guide on the left side of the seat tube.
- Step 5** | Secure the housing to the three guides located under the top tube.
- Step 6** | Attach the housing to the guide located on the front left side of the down tube.

## SPEED HOUSING

- Step 1** | Thread the housing through the opening on the front of the chainstay and pull out to the back of the chainstay.
- Step 2** | Secure the housing to the guide located above the cup of the right bottom bracket.
- Step 3** | Attach the tube to the guide located on the right side of the seat tube.
- Step 4** | Secure the housing to the three guides located under the top tube.
- Step 5** | Attach the housing to the guide located on the front left side of the down tube.

# WILSON 29

ITEMS	#SERVICE KIT	DESCRIPTION
1	KFC11051	Derailleur Hanger Split Pivot 12x142/148
2	KFC19026	Bearing kit Wilson 29
3	KFC19027	CS/SS Protector kit Wilson 29
4	KFC15019	Carbon skidplate/bolt kit Wilson 27.5
5	KFC19028-01	SplitPivot Wlsn 29 Alloy Shock bolt Bk
6	KFC19029	ShockExtension Wilson 29 Charcoal
7	KFC19030-01	Pivotkit Shaft Wilson 29 Alloy Black

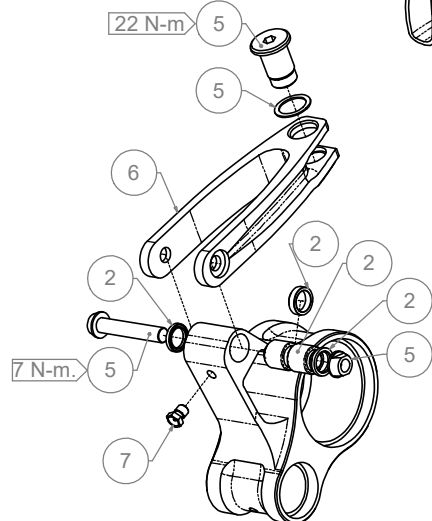
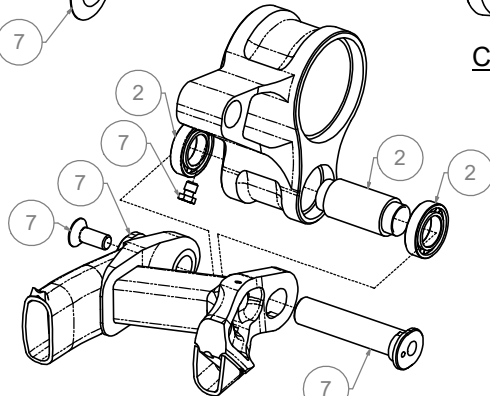
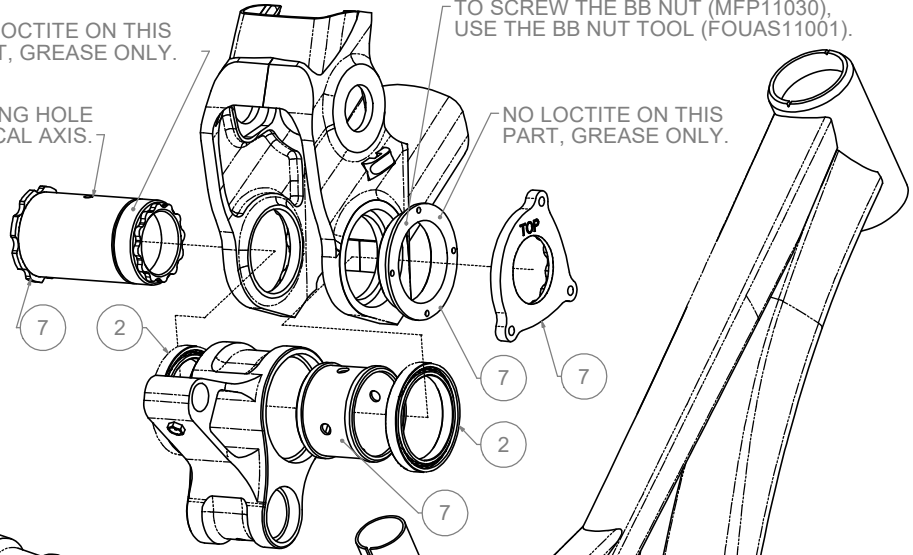
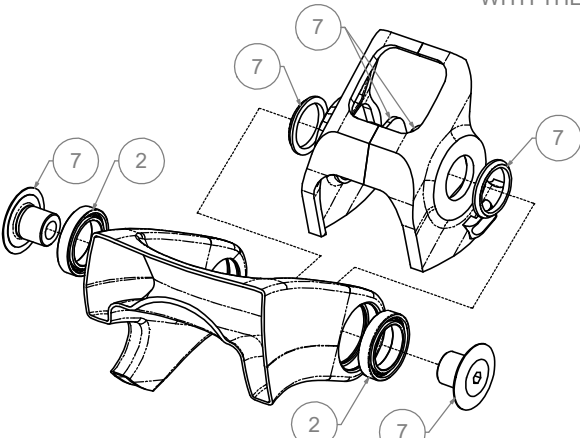


## DO PIVOT

ALIGN. DRAINING HOLE WITH THE VERTICAL AXIS.

TO SCREW THE BB NUT (MFP11030), USE THE BB NUT TOOL (FOUAS11001).

NO LOCTITE ON THIS PART, GREASE ONLY.



REAR AXLE (20 N m)

6.7 N m

DO PIVOT (22 N m)

BL PIVOT (22 N m)

WL PIVOT (22 N m)

CL PIVOT (22 N m)

7 N m