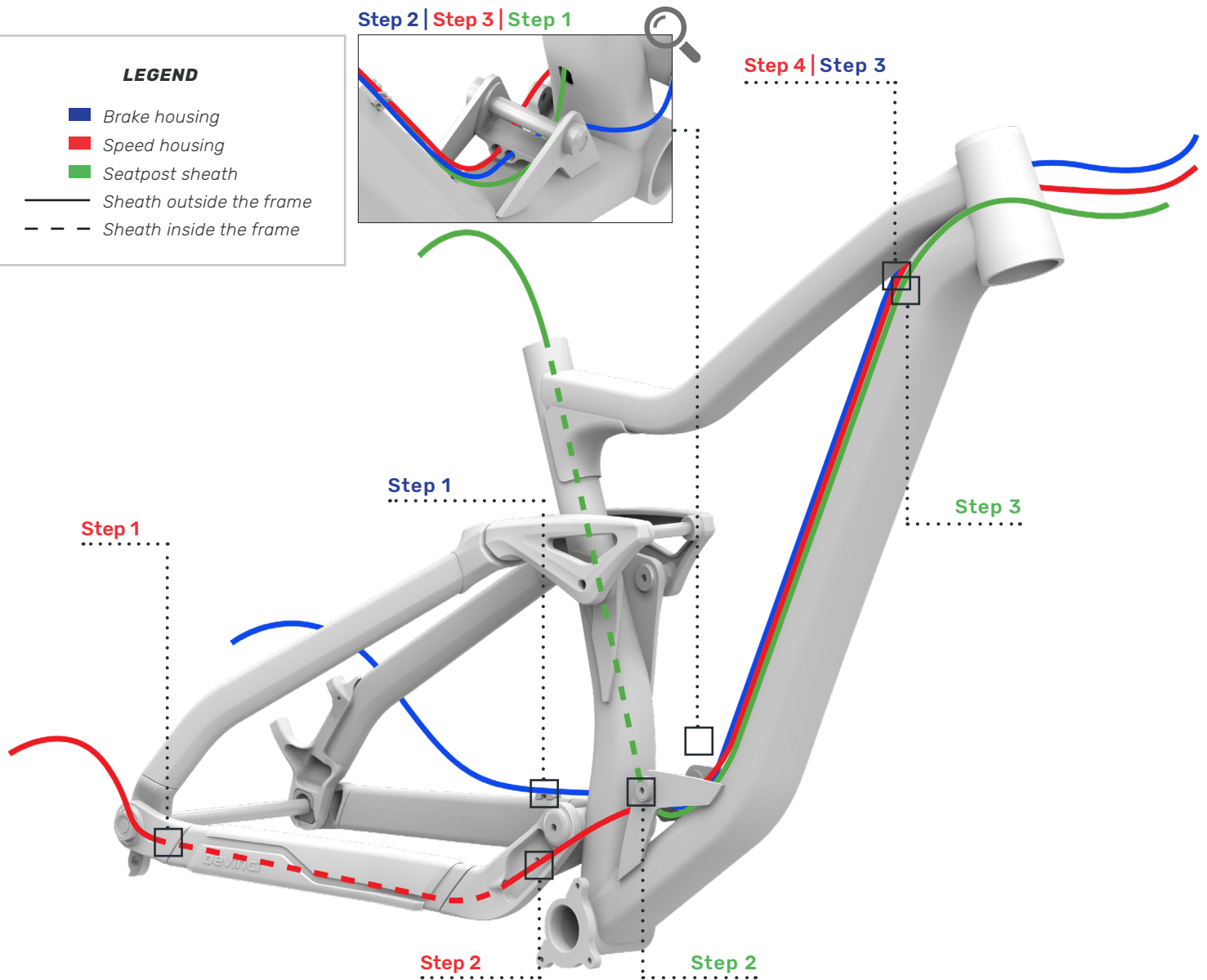


**LEGEND**

- Brake housing
- Speed housing
- Seatpost sheath
- Sheath outside the frame
- - - Sheath inside the frame



## BRAKE HOUSING

**Step 1** | Fix the housing to the tabs located on top of the chainstay.

**Step 2** | Thread the brake housing in the left opening of the shock plates cable organiser/spacer.

**Step 3** | Fix the housing to the left side of the down tube tabs. Leave the zip ties loose to thread the remaining cables.

## SPEED HOUSING

**Step 1** | Thread the housing from front to back of the chainstay.

**Step 2** | Fix the housing under the chainstay and zip tie it in place.

**Step 3** | Thread the housing in the right side opening of the shock plates cable organiser/spacer.

**Step 4** | Fix the housing to the center of the guides on the down tube.

## SEATPOST SHEATH

**Step 1** | Thread the dropper housing under the shock plates organiser/spacer.

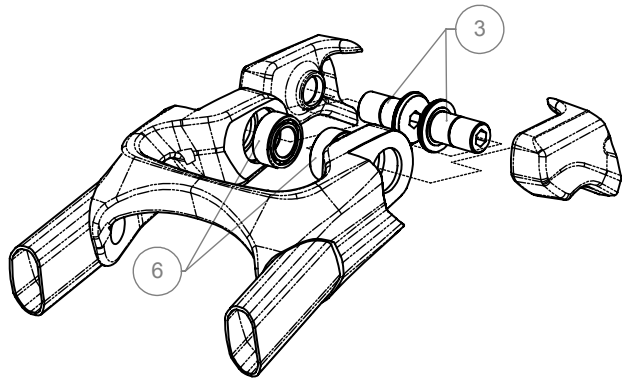
**Step 2** | Thread the dropper housing from the bottom of the seat tube to the top of it.

**Step 3** | Fix the housing to the right side of the guides on the down tube. Orient on the right side.

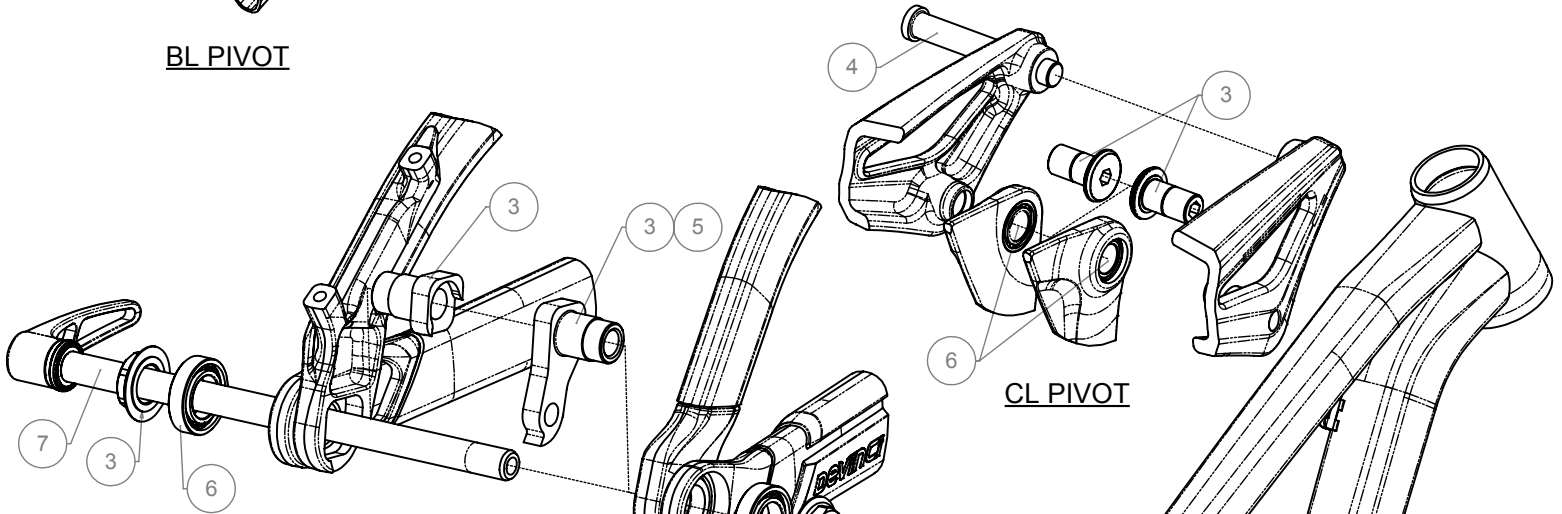
\* Follow the manufacturer's instructions to adjust dropper cable length.

# DJANGO ALUMINUM 29

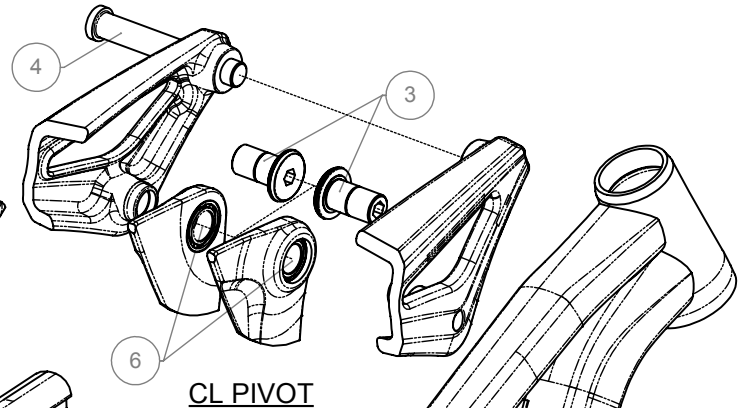
ITEMS	#SERVICE KIT	DESCRIPTION
1	KFC01302	Double cable guide / shock plate
2	KFC19047	Spacer/Bolt Kit SB157 ChainGuide
3	KFC01301	Pivot kit Shaft Django Alloy Black
4	KFC01303	Split pivot Alloy Shock bolt black
5	KFC11051	Derailleur Hanger Split Pivot 12x142/148
6	KFC01304	Bearing kit Split pivot
7	KFC19010	Rear Axle SuperBoost157*12mm/209.5mm



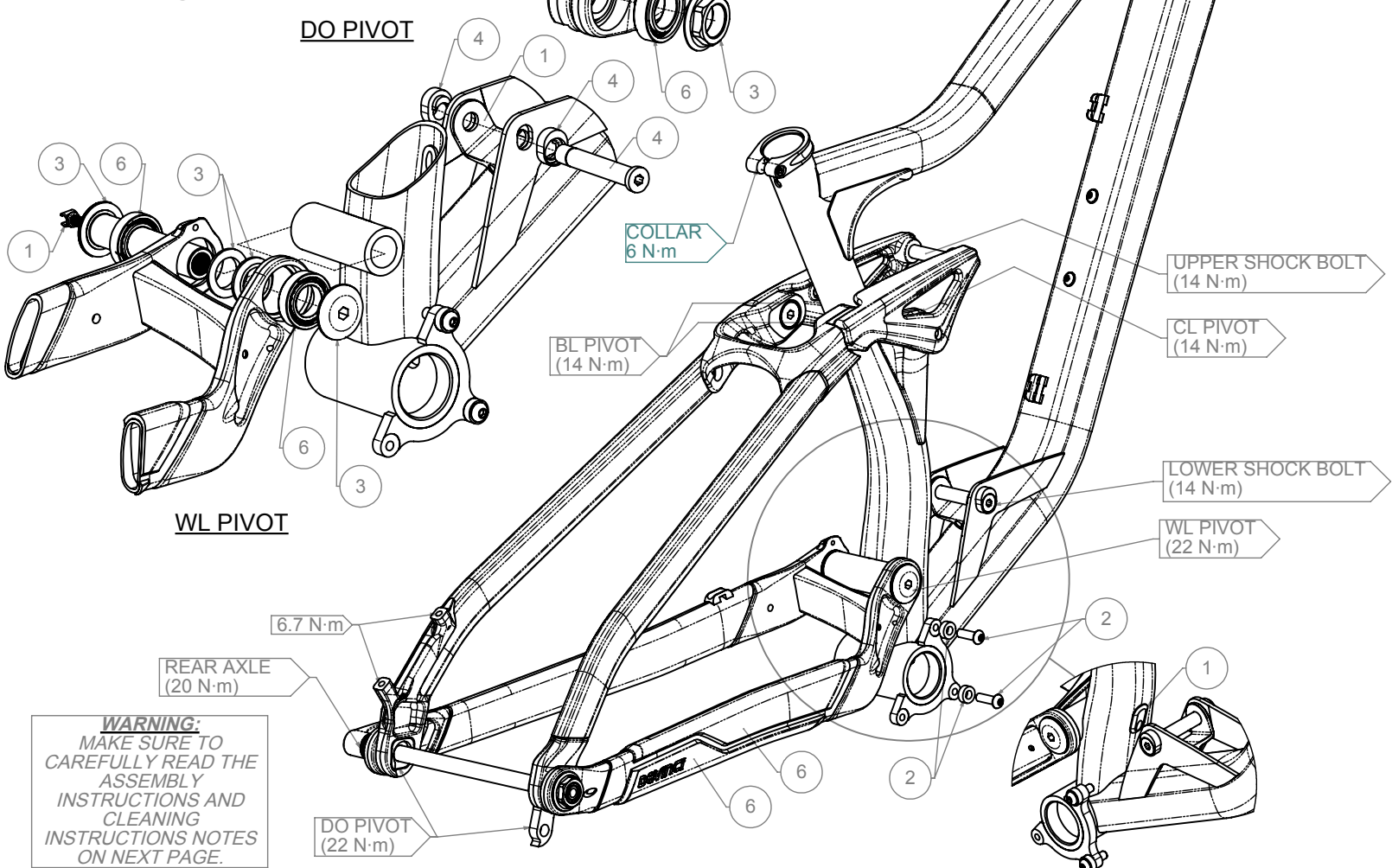
**BL PIVOT**



**DO PIVOT**



**CL PIVOT**



**WARNING:**  
 MAKE SURE TO CAREFULLY READ THE ASSEMBLY INSTRUCTIONS AND CLEANING INSTRUCTIONS NOTES ON NEXT PAGE.